



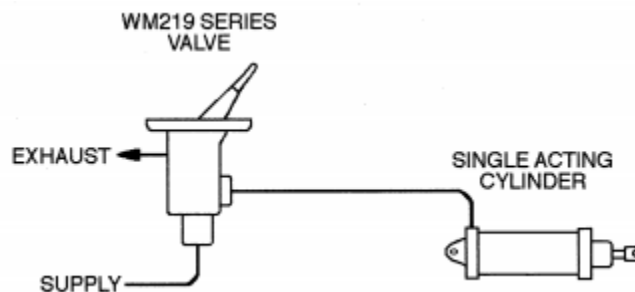
# Williams Controls WM-219 Williams Customer Specification

Release: 02/96  
Original Project: 119974



### DESCRIPTION

The WM219 series are two position, three-way toggle valves, which are equipped with heavy-duty metal control levers. Designed for panel mounting, these valves are available with various porting configurations. The WM219 toggle valves are universal application valves that are commonly used to control air pressure-operated relay valves, cylinders, PTOs and fifth wheels.



<b>CURTISS - WRIGHT</b>	PROCEDURE NAME:					
	<b>Williams Customer Specification Form</b>					
DOCUMENT NUMBER:	<b>119974</b>	Revision Level	A	Date Effective	02/1996	DAF#

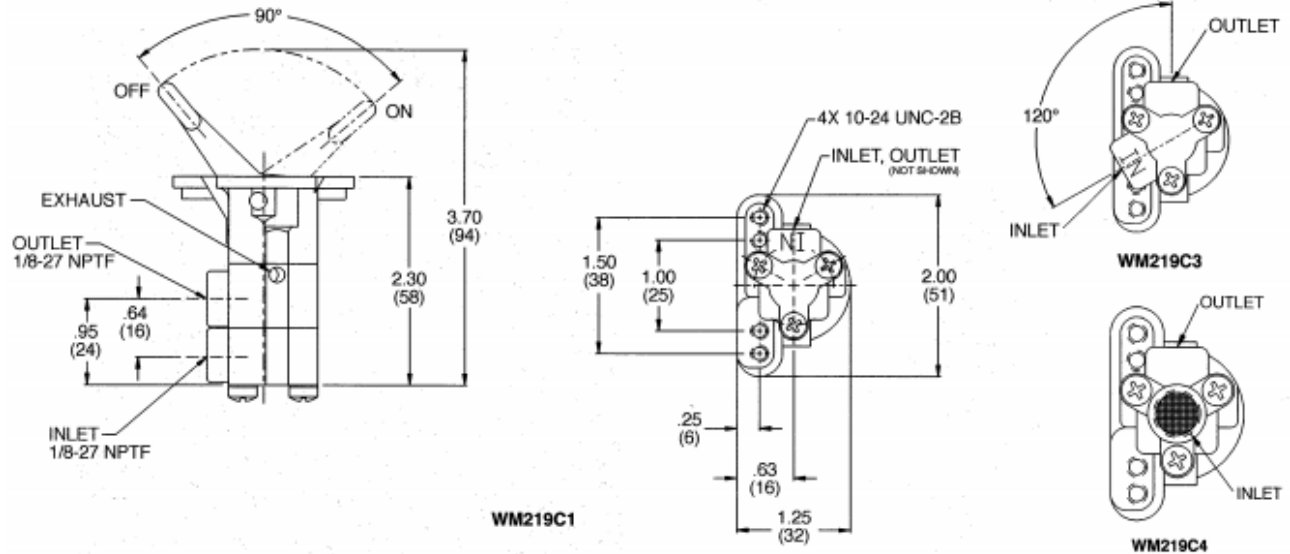


**ABSOLUTE MAXIMUM ELECTRICAL/MECHANICAL RATINGS**

Port Size	1/8-27 NPTF
Maximum Supply Pressure	150 PSI (1034 kPa)
Operating Temperature	-29°C to 93°C
Flow Rating	15 SCFM @ 100 PSI (0.4m <sup>3</sup> /min @ 690 kPa)
Mounting	Secured to control panel with two 10-24 fasteners
Mounting Attitude	Optional
<b>Materials</b>	
Body Casting & Lever	Iridited die cast zinc alloy
Poppet & O-rings	Buna N
Weight	5oz (0.1kg)

For Continuous operation beyond this range, contact factory.

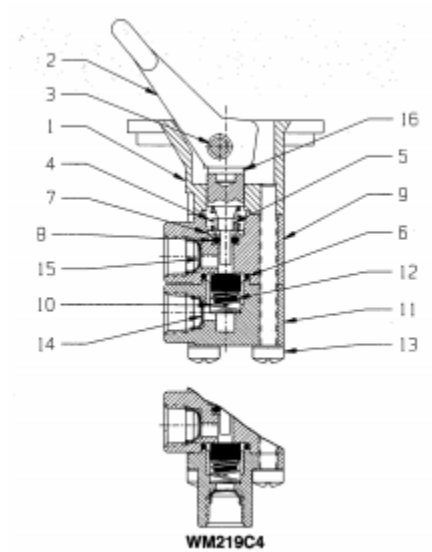
**DIMENSIONAL DATA**



<b>CURTISS - WRIGHT</b>	PROCEDURE NAME:					
	<b>Williams Customer Specification Form</b>					
DOCUMENT NUMBER:	<b>119974</b>	Revision Level	A	Date Effective	02/1996	DAF#



**CROSS SECTION & PARTS INFORMATION**



ITEM	DESCRIPTION	WM219C1	WM219C3	WM219C4	QTY
1	Bracket Body	101791	101791	101791	1
2	Lever	118363	118363	118363	1
3	Groove Pin	118057	118057	118057	1
4	Spring	101526	101526	101526	1
5	Stem Guide	118806	118806	118806	1
6	O-ring	116303	116303	116303	1
7	Snap Ring	117927	117927	117927	1
8	O-ring	116296	116296	116296	1
9	Body	101519	101519	101519	1
10	Spring	101467	101467	101467	1
11	Inlet Body	103743	103743	103743	1
12	Inlet Poppet	119141	119141	119141	1
13	Screw	119573	119573	119573	1
14	Screen	116455	116455	116455	1
15	Screen	101410	101410	101410	1
16	Cap	104765	104765	104765	1

<b>CURTISS - WRIGHT</b>	PROCEDURE NAME:						
	<b>Williams Customer Specification Form</b>						
DOCUMENT NUMBER:	<b>119974</b>	Revision Level	A	Date Effective	02/1996	DAF#	



**ORDERING INFORMATION**

To Order, specify WM219\_\_\_\_(suffix)\_\_\_\_\_(part number). Select suffix and part number below

Suffix	Part number	Inlet port location
WM219 C1	111814	Inlet C1
WM219 C3	11816	Inlet C3
WM219 C4	111817	Inlet C4

An escutcheon plate (part number 103642), is not supplied with valve, but may be ordered separately.

<b>USA</b>	Portland Oregon T: +1.503.684.8600 cwig.us@curtisswright.com www.cw-industrialgroup.com	<b>Europe</b>	Garching Germany T: +44.89.5404.100.0 cwig.de@curtisswright.com www.cw-industrialgroup.com	<b>Asia</b>	Shanghai China T: +86.213.3310670 cwig.cn@curtisswright.com www.cw-industrialgroup.com
------------	---	---------------	--	-------------	--

<b>CURTISS - WRIGHT</b>	PROCEDURE NAME:						
	<b>Williams Customer Specification Form</b>						
DOCUMENT NUMBER:	<b>119974</b>	Revision Level	A	Date Effective	02/1996	DAF#	