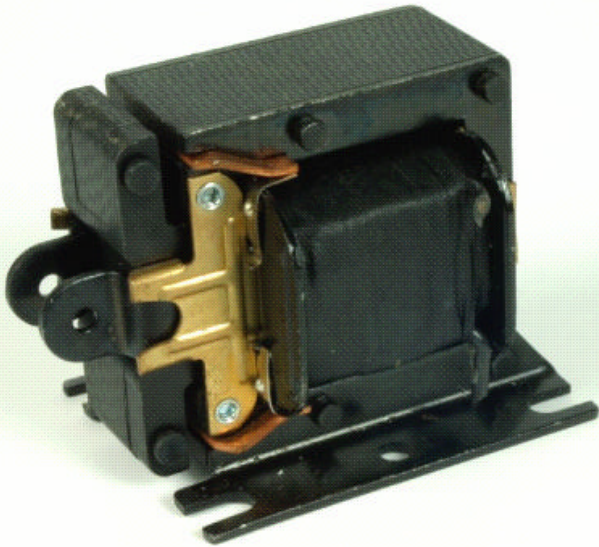


AC Laminated Solenoid (Model TT6)

ML2551



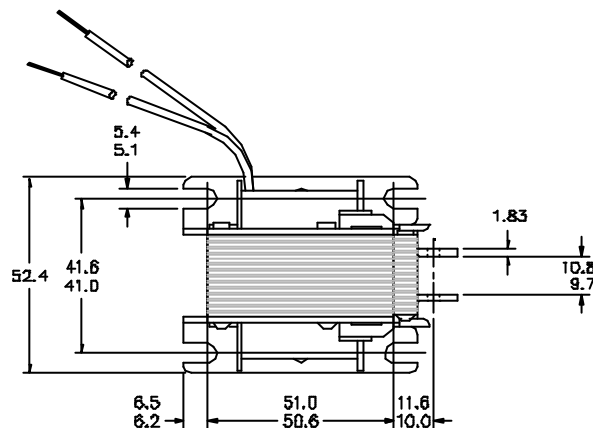
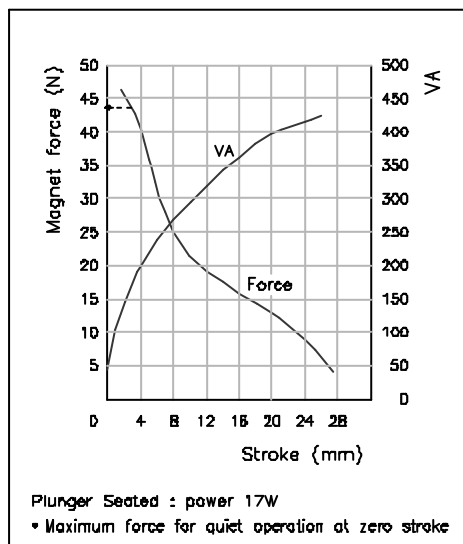
- High Force / Small Size
- Fast Response Time
- Varnish Impregnated Coil
- Brass Guides
- Copper Shading Rings
- Optional Zinc Plated Plunger & Yoke
- Various Voltages and Frequencies
- Optional Encapsulated Coil

Magnet force-stroke curve for bottom nameplate voltage and solenoid temperature of 90°C.

VA-stroke curve for top nameplate voltage, 20°C ambient.

If plunger works with gravity:
stroke force = magnet force + plunger weight force.

If plunger works against gravity:
stroke force = magnet force - plunger weight force.



TOLERANCES (UNLESS STATED) ±0.4mm

