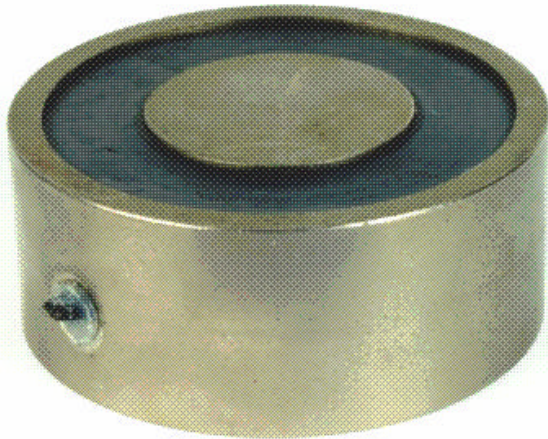
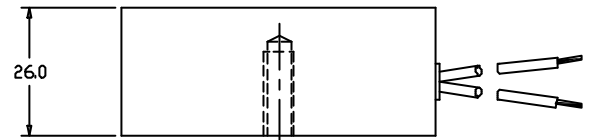
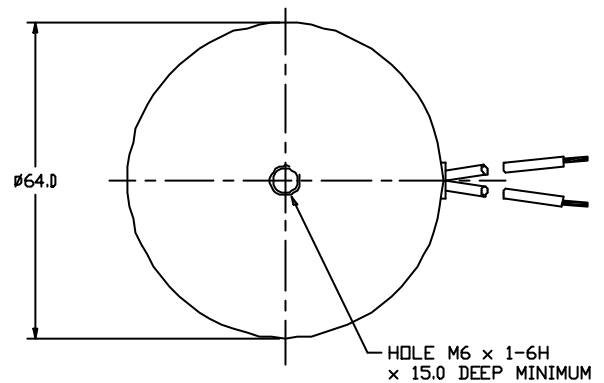


# Holding Magnet

MM6426



- High Force Type
- Precision Ground Pole Faces
- Flying Leads with Optional Connectors
- Electroless Nickel Plated
- Other Finishes Available
- 12VDC & 24VDC Standard Versions
- Other Voltages Available
- Optional Mounting Centres



TOLERANCES (UNLESS STATED)  $\pm$  0.15mm

HOLDING FORCE-----500N MINIMUM

POWER-----4W

RATING-----100% ED