



Williams Controls

WM-472

Williams Customer Specification

Original Release: 5/81
Original Project: 119958



APPLICATIONS

The WM472 series valves are used in industrial and vehicular application where a three-way, compensating treadle valve is required. These treadle valves are primarily installed in relay-type brake systems. Mounted through the floor of the operator's compartment, the valve subassembly can be rotated on 90° increments for plumbing convenience.

DESCRIPTION

Commonly used in pneumatic braking systems, the wm472 series treadle valves are three-way, compensating pressure regulators. Each unit consists of a valve subassembly that responds to movement of the pedal. The WM472 models are designed with various treadle-to-mounting surface angles. The WM472E model is a valve subassembly without the mounting bracket or pedal.

OPERATION

As the operator depresses the pedal, the exhaust port closes and the supply port opens allow delivery. The valve subassembly modulates the output in relation to the position of the pedal. When the pedal is released, the outlet pressure is discharged through an exhaust port located in the valve bottom

CURTISS - WRIGHT	PROCEDURE NAME:						
	Williams Customer Specification Form						
DOCUMENT NUMBER:	119958	Revision Level	A	Date Effective	05/1981	DAF#	

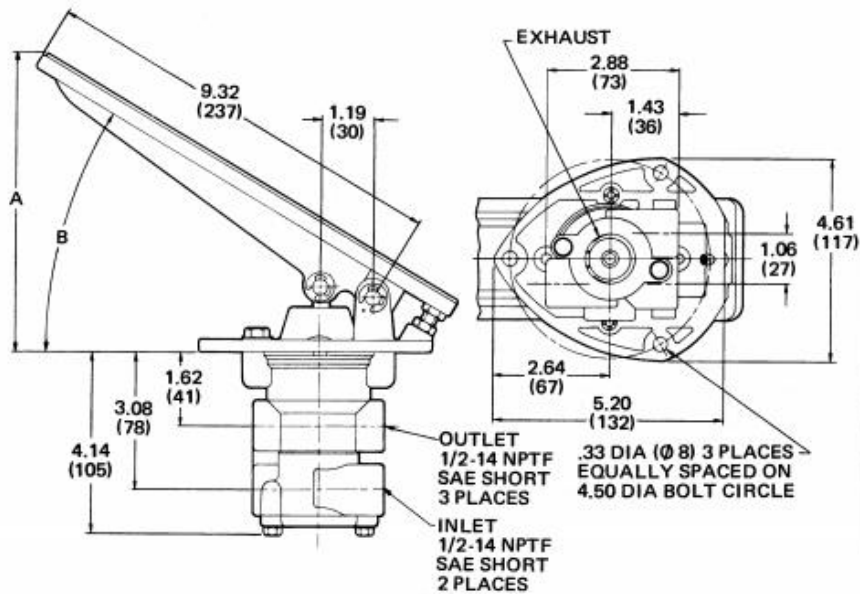


SPECIFICATION

Port Size	1/2 - 14 NPTF
Maximum Operating Pressure	150 PSI (1034.2kPa)
Operating Temperature	-28.9°C to 93.3°C
Flow Rating	160SCFM @ 100PSI (4.5m ³ /min 690 kPa)
Compensating Range	0-92/102PSI (0-634.3/703.3 kPa)
Valve Position in Bracket	Rotatability on 90° increments
Mounting	Integral Bracket secured to floor
Mounting Attitude	Optional
Materials	
Body Casting	Die Cast Aluminum alloy
Treadle	Die Cast Aluminum Alloy
Treadle Cover	Fiber-Reinforced Rubber
Dust Boot & Spring Stop Cup	Chloroprene Rubber
O-Ring & U-Cup Seals	Buna N
Net Weight	
WM472A,C,D	3lbs 11oz (1.7kg)
WM472E	1lb 13oz (0.8kg)

For Continuous operation beyond this range, contact factory.

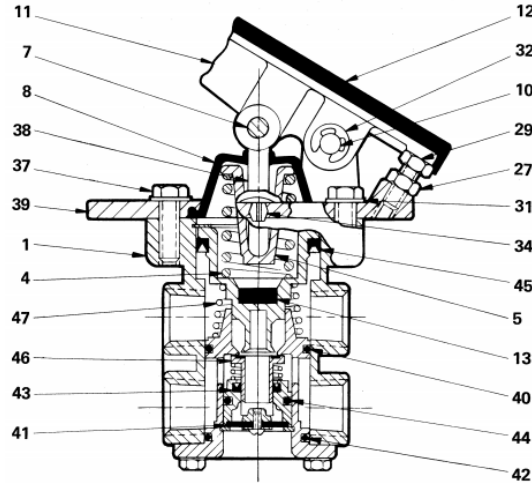
†If unit is to be frequently operated with output in excess of 60 PSI contact factory



CURTISS - WRIGHT	PROCEDURE NAME:					
	Williams Customer Specification Form					
DOCUMENT NUMBER:	119958	Revision Level	A	Date Effective	05/1981	DAF#



APPLICATIONS INFORMATION:



Parts Identification				
Item	Description	QTY		
		A & C	D	E
1	Valve Subassy	1	1	1
4	Balance Spring	1	1	1
5	Spring Cup	1	1	1
7	PIN	1	1	
8	Dust Boot	1	1	1
10	Treadle Pin	1	1	
11	Treadle	1	1	
12	Treadle Cover	1	1	
13	Spring Cup Stop	1	1	1
27	Nut	1		
29	Screw	1	1	
31	Lockwasher	2	2	
32	Retaining Ring	4	4	
34	Hole Plug	2	2	
37	Screw	2	2	2
38	Push Rod	1	1	1
39	Mounting Plate	1	1	
40	O-Ring	1	1	1
41	Check Disc	1	1	1
42	O-ring	1	1	1
43	U-Cup	1	1	1
44	O-ring	1	1	1
45	U-Cup	1	1	1
46	Seat Tube	1	1	1
47	Spring	1	1	1

USA
 Portland
 Oregon
 T: +1.503.684.8600
 cwig.us@curtisswright.com
 www.cw-industrialgroup.com

Europe
 Garching
 Germany
 T: +44.89.5404.100.0
 cwig.de@curtisswright.com
 www.cw-industrialgroup.com

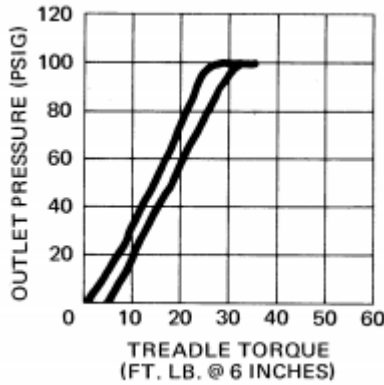
Asia
 Shanghai
 China
 T: +86.213.3310670
 cwig.cn@curtisswright.com
 www.cw-industrialgroup.com

CURTISS- WRIGHT	PROCEDURE NAME:						
	Williams Customer Specification Form						
DOCUMENT NUMBER:	119958	Revision Level	A	Date Effective	05/1981	DAF#	

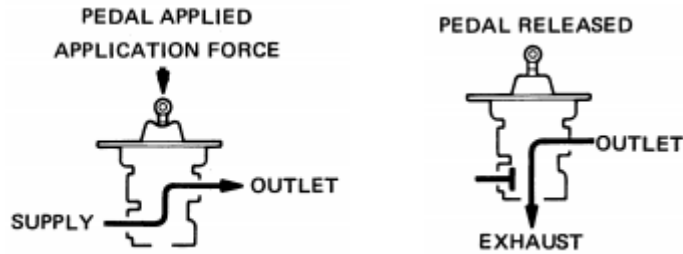


TO ORDER

To order, specify WM472 _____ Model Number _____ Suffix _____ Part Number _____ Select Suffix & Part Number below			
Suffix	Part Number	Height A	Angle B
WM472 A	113218	191mm	35°
WM472 C	113220	15mm	22°
WM472 D	113222	216mm	45°
WM472 E	113224	No Treadle	



FUNCTIONAL DIAGRAM



USA
 Portland
 Oregon
 T: +1.503.684.8600
 cwig.us@curtisswright.com
 www.cw-industrialgroup.com

Europe
 Garching
 Germany
 T: +44.89.5404.100.0
 cwig.de@curtisswright.com
 www.cw-industrialgroup.com

Asia
 Shanghai
 China
 T: +86.213.3310670
 cwig.cn@curtisswright.com
 www.cw-industrialgroup.com

CURTISS - WRIGHT	PROCEDURE NAME:						
	Williams Customer Specification Form						
DOCUMENT NUMBER:	119958	Revision Level	A	Date Effective	05/1981	DAF#	