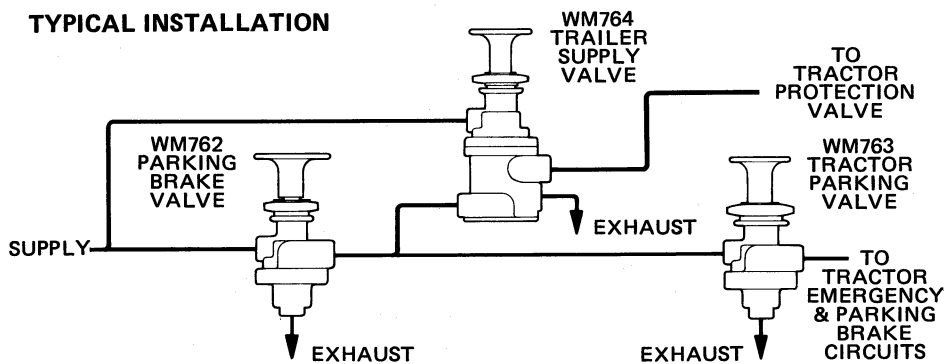
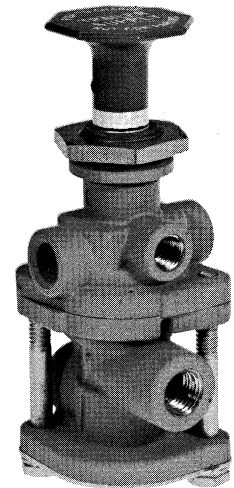
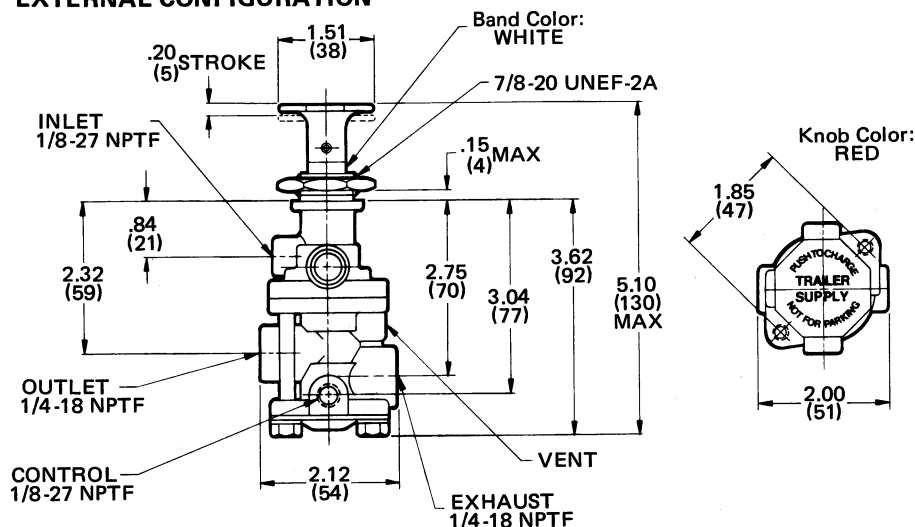
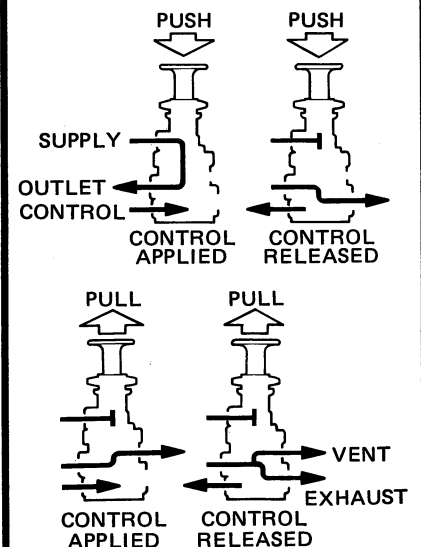
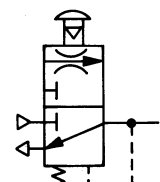


PRODUCT DESCRIPTION

DESCRIPTION The WM764 is a panel-mounted three-way control valve that requires actuation both manually and by pilot pressure. The unit consists of two valves—a manually-actuated two-way valve and a pilot pressure-operated three-way valve—that are stacked in series. A white band on the WM764 knob indicates when the valve is actuated.

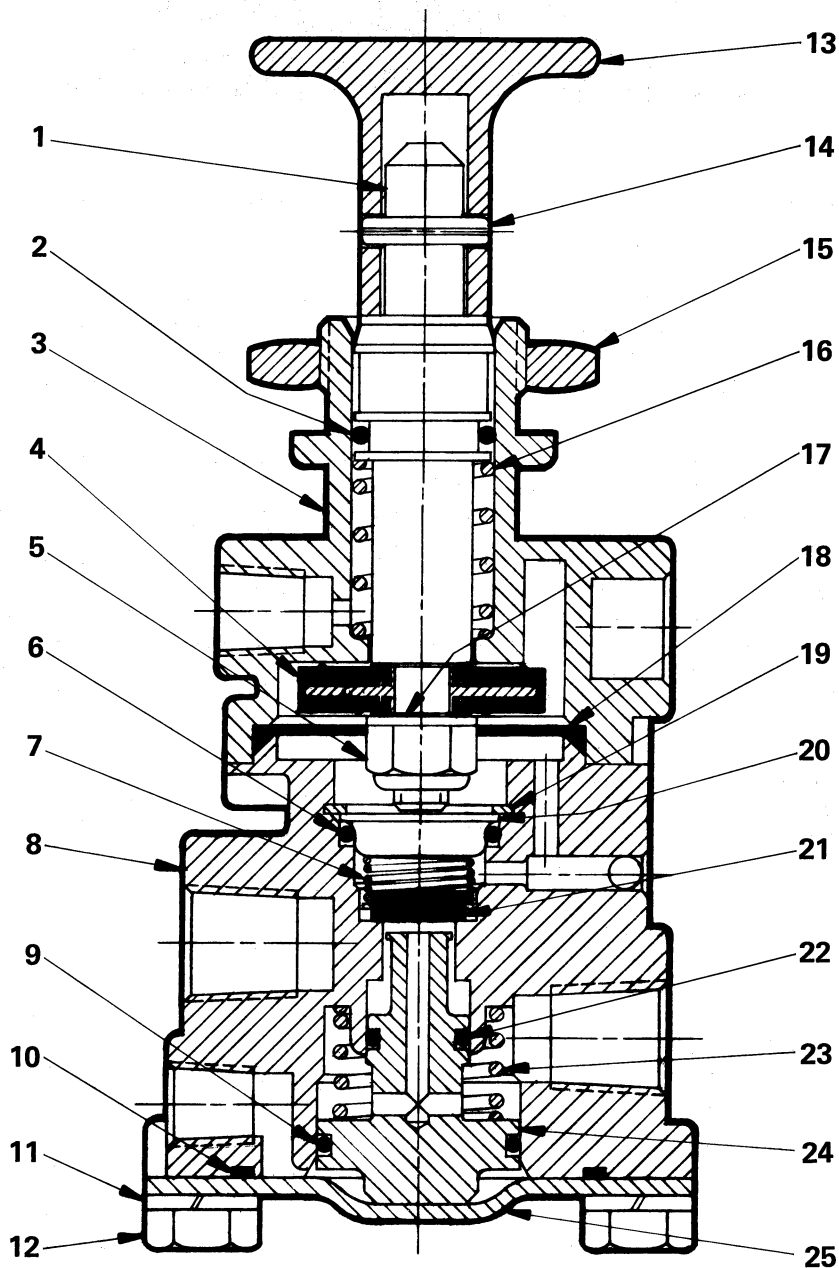
OPERATION The first part of the WM764 valve is a manually-actuated valve that is spring-returned and normally closed. This valve controls the supply port. The second pilot-operated valve controls the exhaust and delivery ports. After manual actuation, the first valve requires a minimum supply pressure of 35-45 PSI (241,3-310,3 kPa) to remain in the open position. When the first valve is manually actuated and no pilot pressure is applied to the second valve, the delivery port is open to the exhaust port. When pilot pressure is applied, the exhaust port closes and air flows from the supply port to the delivery port. If the first valve is manually deactivated when pilot pressure is applied, pressure at the delivery port is exhausted to the atmosphere. If either the supply pressure or the pilot pressure drops below 35-45 PSI (241,3-310,3 kPa), pressure at the delivery port will be automatically released through the exhaust.

APPLICATION The WM764 trailer supply valve is engineered for air brake systems of heavy duty tractor-trailer combinations. In the typical installation shown below, the valve controls the flow of air to the trailer parking brakes. The WM764 control valve complies with FMVSS-121.

TYPICAL INSTALLATION

EXTERNAL CONFIGURATION

**TRAILER
SUPPLY
VALVE**
FUNCTIONAL DIAGRAM

I.S.O. SYMBOL


PARTS IDENTIFICATION			
ITEM	DESCRIPTION	QTY.	
		A1A	A6A
1	STEM	1	1
* 2	O-RING	1	1
3	STEM BODY	1	1
* 4	POPPET	1	1
* 5	LOCKNUT (114592)	1	1
* 6	O-RING	1	1
7	SPRING	1	1
8	BODY ASSEMBLY	1	1
* 9	O-RING	1	1
* 10	O-RING	1	1
11	LOCKWASHER	2	2
12	SCREW	2	2
13	BUTTON (117128)		1
14	SPRING PIN (117071)		1
15	NUT (117057)	1	1
16	SPRING	1	1
17	WASHER	1	1
* 18	RECTANGULAR SEAL	1	1
19	RETAINING RING	1	1
20	SPRING CAP	1	1
* 21	POPPET	1	1
* 22	O-RING	1	1
23	SPRING	1	1
24	SPOOL	1	1
25	COVER	1	1

Service this unit with repair kit number 117660.
 Replaceable items are followed by part numbers.
 *Asterisk designates parts included in repair kit 117660.



SPECIFICATIONS

PORT SIZES: Supply & Control 1/8-27 NPTF
 Outlet & Exhaust 1/4-18 NPTF
 MAXIMUM OPERATING PRESSURE. 150 PSI (1034,2 kPa)
 OPERATING TEMPERATURE* . . . -20°F to 200°F (-28,9°C to 93,3°C)
 FLOW RATING 15 SCFM @ 100 PSI (0,4 m³/min @ 690 kPa)
 AUTO. APPLICATION PRES. Below 35-45 PSI (241,3-310,3 kPa)
 MOUNTING 0.88 In. (22,2 mm) Hole in Control Panel
 MOUNTING ATTITUDE Optional
 MATERIALS: Body Castings Die Cast Zinc Alloy
 Cover Plated Steel
 Poppets Buna N w/ Aluminum Backing
 Seals & O-Rings Buna N
 NET WEIGHT. 1 lb. (0,5 kg)

*For continuous operation beyond this range, contact factory.

TO ORDER, SPECIFY

WM764 _____

Model Number Suffix

PART NUMBER _____

SELECT SUFFIX & PART NUMBER BELOW

SUFFIX	PART NUMBER	KNOB IDENTIFICATION
WM764 A1A	117452	Valve Furnished Without Knob
WM764 A6A	117067	Knob Lettered Per D.O.T. & R.C.C.C.