

Arens Controls F-N-R Cable Throttle Controls T12 & T20 Series

The T12 & T20 series controls are designed for mechanical actuation of cables connected to hydrostatic valves. The T12 is a single lever design and the T20 is a dual lever design. Both styles are 'Return To Neutral' levers; when the operator takes their hand off the lever, the back pressure from the hydrostatic valve system will pull the lever back to the Neutral position. Vehicle OEMs that are seeking a Friction Lever that will 'Hold The Position' when the operator releases the lever should look to the T4, T5 & T6 Series.

The T12 & T20 are ideal for Forward-Neutral-Reverse transmission applications using a hydrostatic drive system. Vehicle OEMs rely on the rugged design found in the T12 & T20 for Airport Tugs, Asphalt Rollers, Cargo Loaders, Log Skidders and Railroad applications where the operator needs a simple control that easily allows them to reverse direction without taking their hands off of the controls.

The Gate Plates are available with 'I' or 'Z' patterns based on your application needs. In addition, the T12 & T20 can be designed without the gate plate to fit your dashboard design criteria.

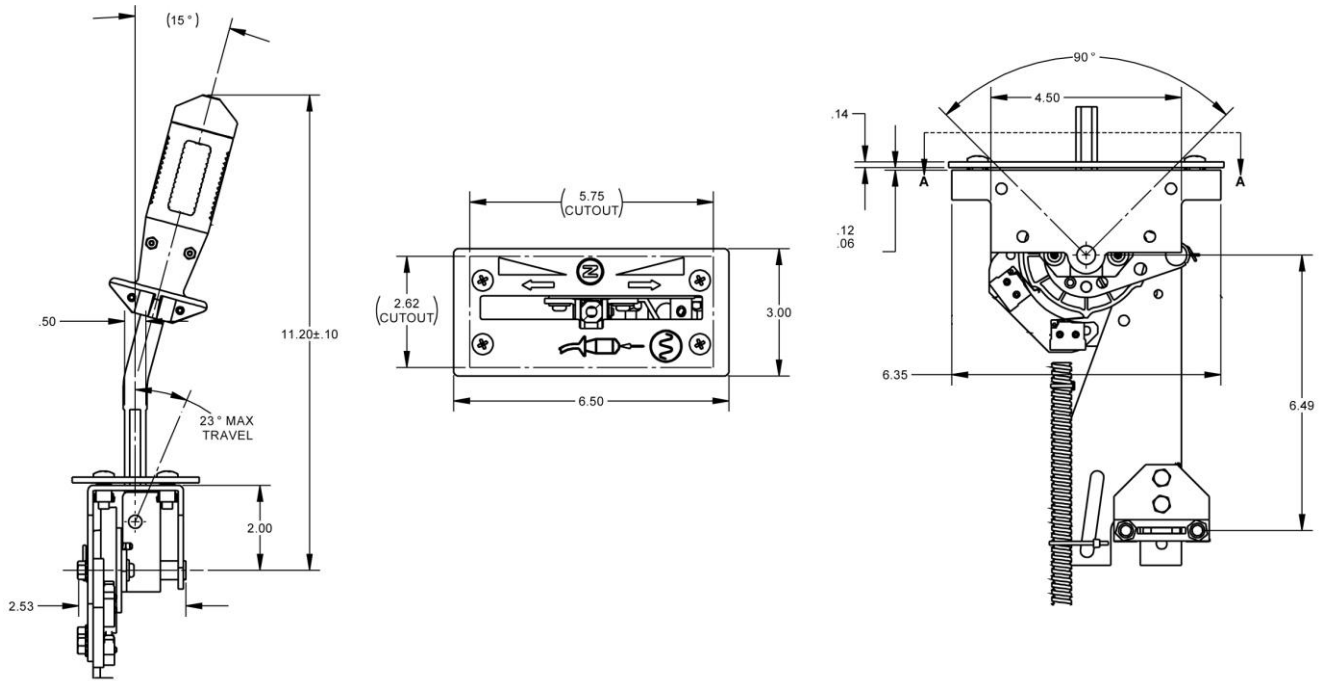
Optional pushbutton switches can be installed on the standard handle configuration. Custom handles can be designed to achieve Vehicle OEM design requirements including a wider array of switches or controls.



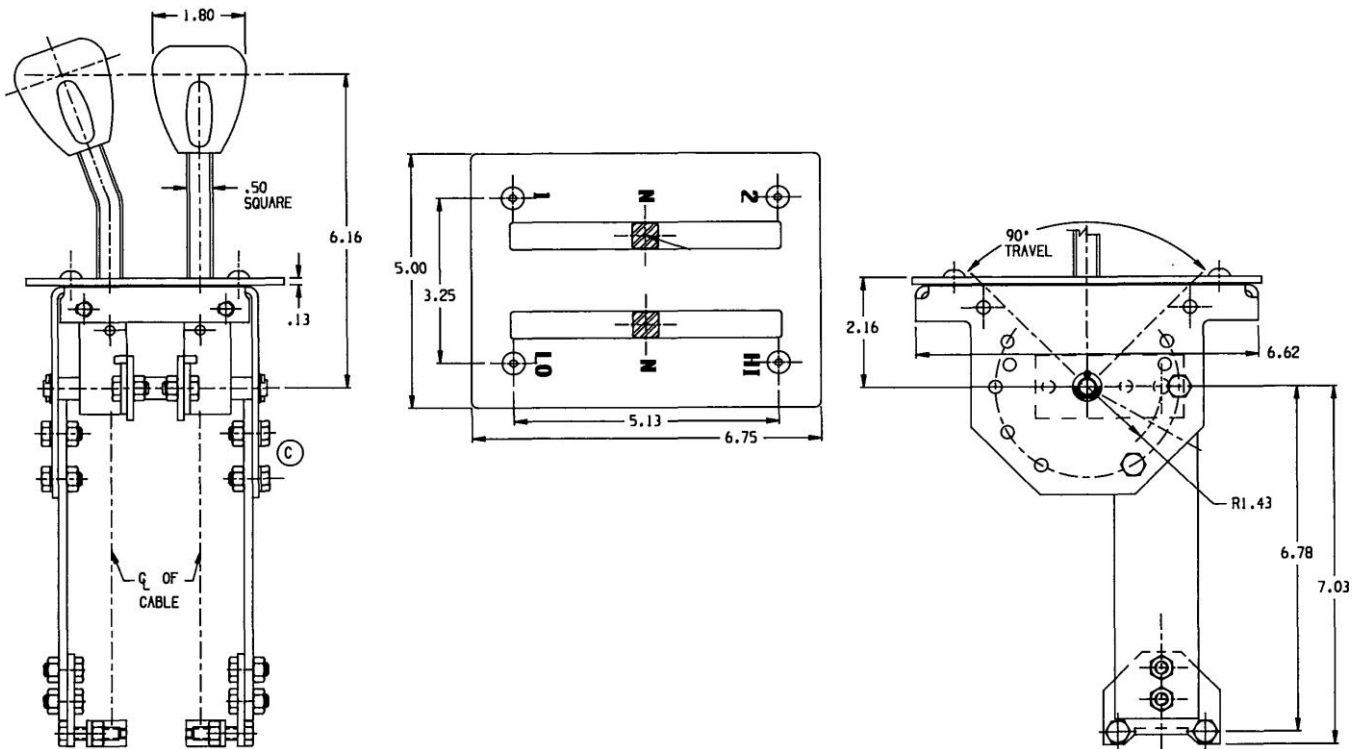
SPECIFICATIONS

HYDROSTATIC CONTROL	'I', 'Z' or 'Step' Pattern	Linear Output
INPUT MOTION	Transmission (F-N-R) Throttle	±45° ±45°
OUTPUT STROKE	Transmission (F-N-R), Linear Transmission (F-N-R), Non-Linear	±1.5 inch (±38.1 mm) ±1.5 inch (±38.1 mm)
STANDARD CONNECTIONS	Push-Pull Cable Push-Pull Cable	¼-28 5/16-24
MATERIALS	Body Lever Control Handle	Steel Steel Molded Polycarbonate
CONTROL HANDLE	Ball Knob Control Grip Joystick	Standard Optional Optional

MECHANICAL DIMENSIONS – for T12 (mm)



MECHANICAL DIMENSIONS – for T20 (mm)



© 2014 Curtiss-Wright. All rights reserved. Specifications are subject to change without notice. All trademarks are property of their respective owners.

T12&T20 -11/17



USA Arlington Heights
Illinois
T: +1.847.844.4700
cwig.us@curtisswright.com
www.cw-industrialgroup.com

Europe Garching
Germany
T: +49.89.5404100.0
cwig.de@curtisswright.com
www.cw-industrialgroup.com

Asia Shanghai
China
T: +86.213.3310670
cwig.cn@curtisswright.com
www.cw-industrialgroup.com