

Penny+Giles

A Curtiss-Wright Company

Penny+Giles RF11 series rotary faders have been designed using the same technology as the renowned RF15 series.

The RF11 offers a compact design and a choice of options that include various tapers in mono or stereo configurations.

- available in up to two channels
- 320° angle of rotation
- log and linear output



www.pennyandgiles.com

RF11 SERIES

ROTARY FADER

**CURTISS
WRIGHT** Controls
Integrated Sensing

Innovation In Motion

RF11 rotary fader



SELECT THE FADER OPTIONS YOU REQUIRE

Output channels	One ¹	Two ²
Resistance $\pm 20\%$	5k Ω ^C	10k Ω ^D
Output law	Log audio taper ^A	Linear ^L

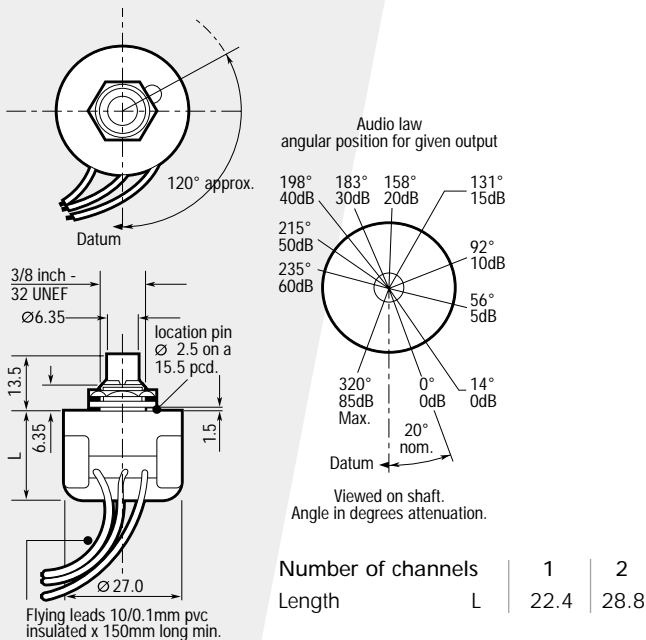
Safety warning

50Vdc maximum voltage

The RF11 is designed for operation at voltages not exceeding 50Vdc

DIMENSIONS

All dimensions shown in mm



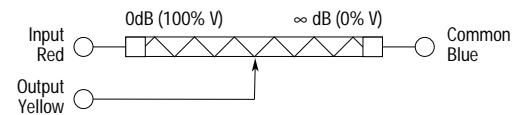
OUTPUT LAW CHARACTERISTICS

Maximum insertion loss 0.5dB. Insulation resistance 20M Ω at 50Vdc

Taper	Accuracy	Matching accuracy (relative to track 1)	Cut off/maximum end volts
Log audio	± 2.0 dB (0-20dB) ± 4.0 dB (21-60dB)	± 1.0 dB (0-40dB) ± 2.0 dB (41-60dB)	85dB
Linear	$\pm 3\%$	$\pm 3\%$	0.1%

Test conditions • wiper load 100k Ω log only • element resistance 10k Ω
• frequency for cut-off 15kHz • frequency for law accuracy 1kHz.

CIRCUIT DIAGRAMS/TERMINATIONS



TO ORDER OR OBTAIN A QUOTATION PLEASE CONTACT YOUR NEAREST SALES OFFICE AND ADVISE:

The series number and description, number of channels, resistance and the output law

For example: • RF11 rotary fader • 2 channels • 5k Ω resistance • log audio taper Penny+Giles would code this fader as:

Fader type	series	channels	resistance	law
	RF11	/ 2	/ C	/ A

Quality Approvals



Certificate No. LRO 0924881

Penny+Giles are accredited to BS EN ISO 9001:2008 Quality is at the heart of all our systems ensuring the reliability of our products from initial design to final despatch.



EMC Directive 2004/108/EEC

The products detailed in this document are supplied as components for installation into an electrical apparatus or system. They are outside the scope of the EEC directive and will not be CE marked.

Penny+Giles Controls Ltd
36 Nine Mile Point Industrial Estate
Cwmfelinfach
Gwent NP11 7HZ
United Kingdom
+44 (0) 1495 202000
+44 (0) 1495 202006 Fax
sales@pennyandgiles.com

Penny+Giles (USA)
665 North Baldwin Park Boulevard
City of Industry, CA 91746
USA
+1 626 480 2150
+1 626 369 6318 Fax
us.sales@pennyandgiles.com

Penny+Giles (Germany)
Straussenlettenstr. 7b
85053 Ingolstadt,
Germany
+49 (0) 841 885567-0
+49 (0) 841 885567-67 Fax
info@penny-giles.de

Penny+Giles (China)
3-1-A, Xiandai Square,
No 333 Xingpu Rd,
Suzhou Industrial Park, 215126
China
+86 512 6287 3380
+86 512 6287 3390 Fax
sales@pennyandgiles.com.cn