

Arens Controls High-Power Distribution Module

POWERPAC™ Series

The POWERPAC High-Power Distribution Module simplifies hybrid and electric vehicle design by protecting all of the high-power hybrid components from power spikes and surges. The Power Distribution Module, also known as a Junction Box, routes power from the High-Voltage Hybrid Battery to the Traction Inverter, DC-DC Converter, DC-AC Inverter and other hybrid components.

The high-voltage fuses protect valuable components against inadvertent power surges and are easily replaced by the operator or mechanics. When the user-access panel is opened, the Safety Switch isolates the power from the fuses and circuits in the Power Distribution Module, protecting the operator or mechanic from the electrical power.

The chassis is sealed to IP67 / 6K9K and can be customized by Curtiss-Wright engineers with a variety of connectors based on Vehicle OEM design requirements.



The POWERPAC series is purpose-built for on-highway and off-highway applications. The POWERPAC Hybrid Vehicle Component Series have over 500 million vehicle miles of on-road service in punishing municipal bus and service truck applications, delivering proven technology in the field and on the road.

SPECIFICATIONS

ELECTRONICS

DC VOLTAGE	Compact Size	360Vdc nominal
	Full Size	700Vdc nominal
	High Voltage	750Vdc maximum
DC CURRENT	Compact Size	300A nominal
	Full Size	500A nominal
	High Voltage	750A maximum

KW RATING

Compact Size	100kW maximum
Full Size	300kW maximum
High Voltage	300kW maximum

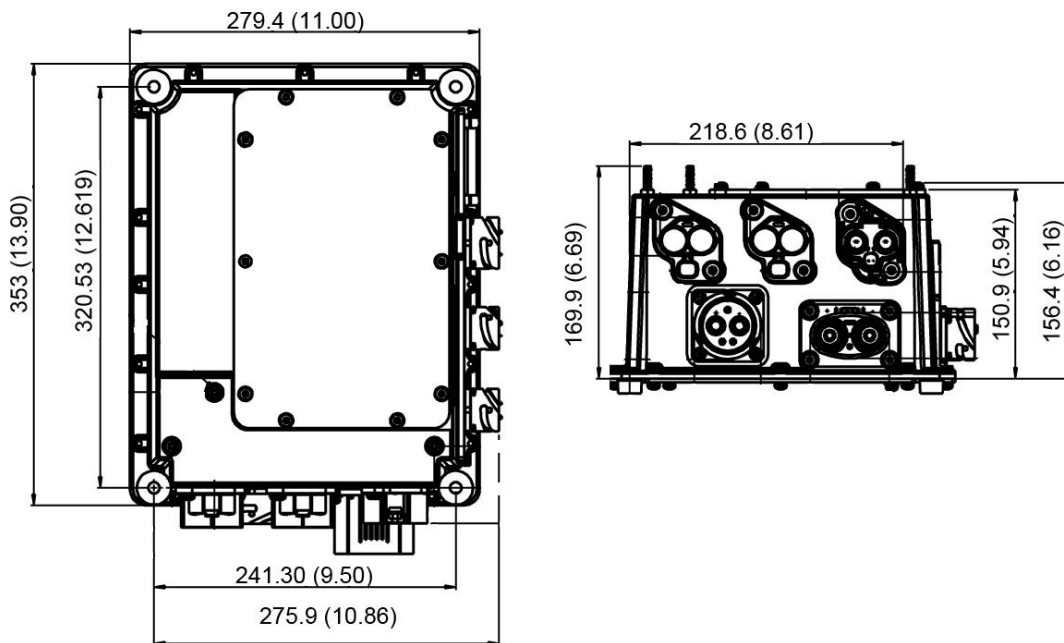
MECHANICAL

Weight	Variable
--------	----------

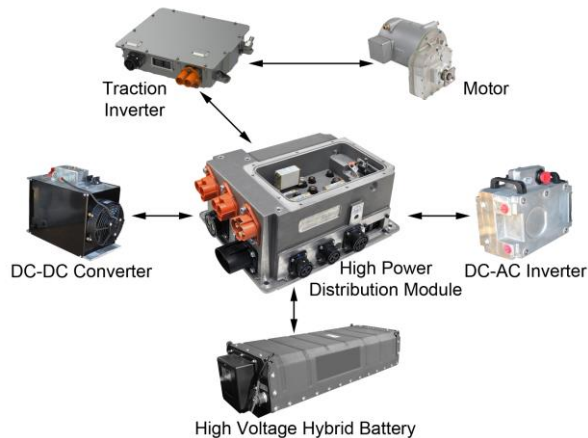
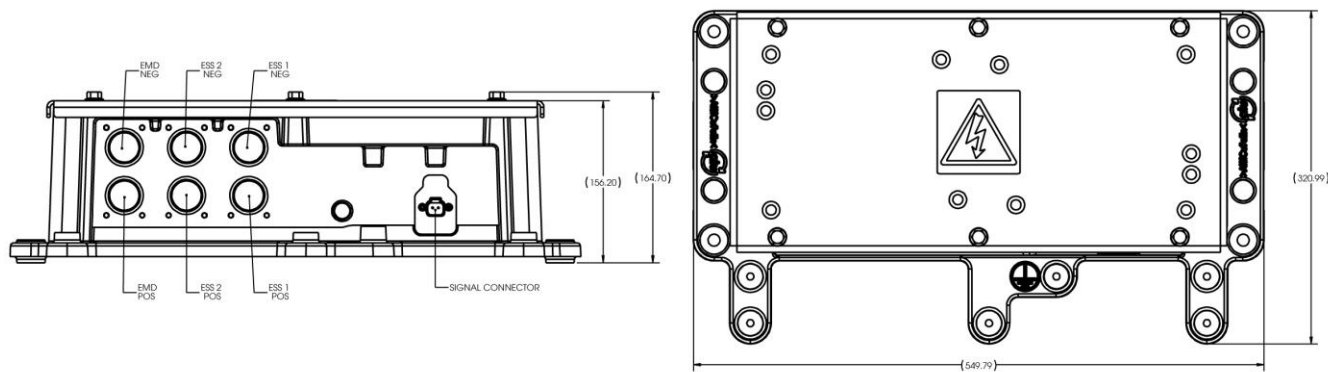
ENVIRONMENTAL

Operating Temperature	-40 to 75°C
Storage Temperature	-50 to 105°C
Sealing	IP67 / IP6K9K

COMPACT HPDM MECHANICAL DIMENSIONS (mm)



HIGH VOLTAGE HPDM CHASSIS MECHANICAL DIMENSIONS (mm)



© 2014 Curtiss-Wright. All rights reserved. Specifications are subject to change without notice. All trademarks are property of their respective owners.

HPDM-11/17



USA Arlington Heights
Illinois
T: +1.847.844.4700
cwig.us@curtisswright.com
www.cw-industrialgroup.com

Europe Garching
Germany
T: +49.89.5404100.0
cwig.de@curtisswright.com
www.cw-industrialgroup.com

Asia Shanghai
China
T: +86.213.3310670
cwig.cn@curtisswright.com
www.cw-industrialgroup.com