

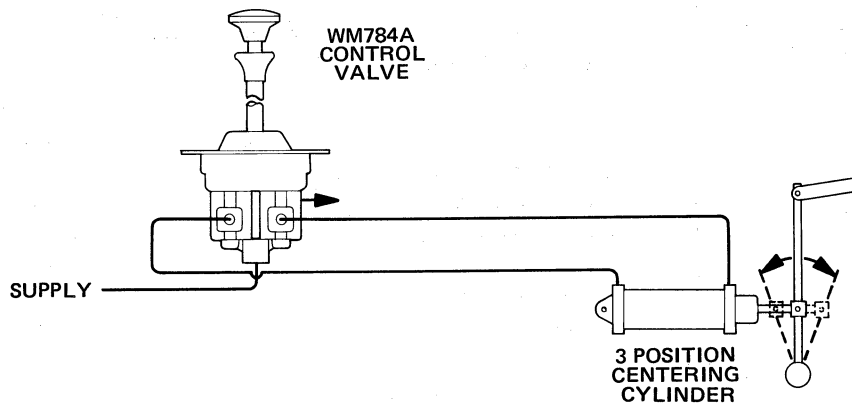
PRODUCT DESCRIPTION

DESCRIPTION The WM784 series is composed of non-compensating, four-way control valves with three functional positions. These valves are actuated by control levers which spring return to the neutral position when they are not manually held in an applied position. WM784B1 models have a detent in the neutral position and WM784A and B models are equipped with a spring-loaded lockout safety device that locks the control lever in the neutral position to prevent unintentional movement.

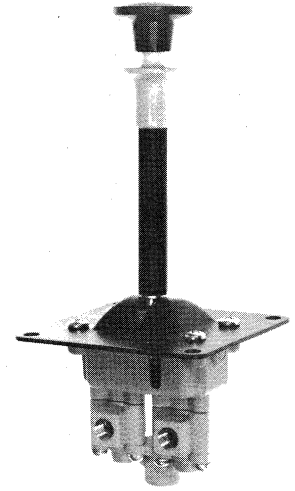
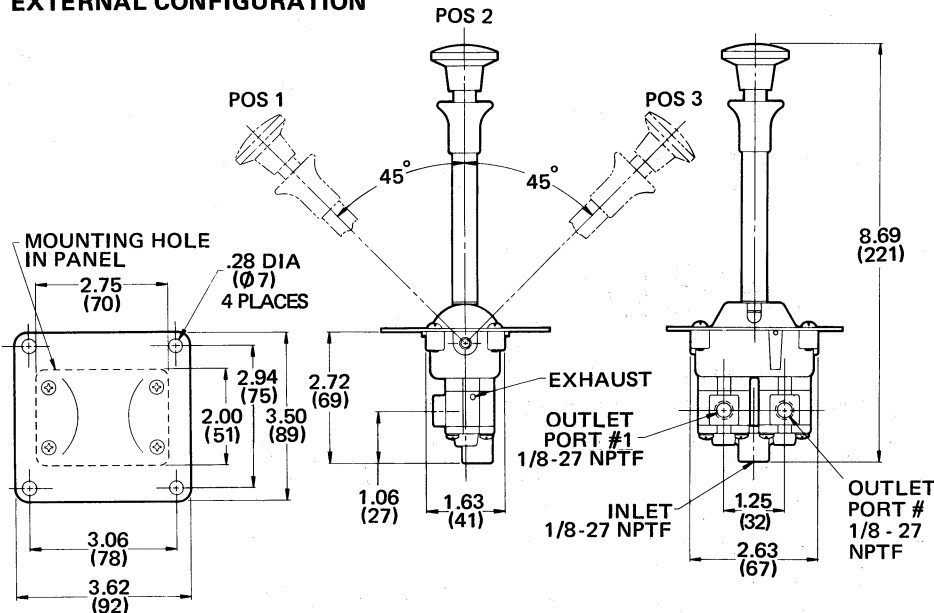
OPERATION When a WM784 valve's control lever is held in Position 1 (Refer to External Configuration.), outlet port 2 receives supply pressure and outlet 1 is exhausted. In Position 2 ("neutral") both outlet ports are exhausted; and outlet port 1 receives supply pressure while outlet 2 is exhausted if the lever is held in Position 3. Whenever the operator releases his hold on the control lever, it will spring-return to the neutral position.

APPLICATION The WM784A is a versatile control valve with a variety of industrial and vehicular applications. WM784A valves are frequently used to control air operated relay valves, cylinders and power take off systems.

TYPICAL INSTALLATION

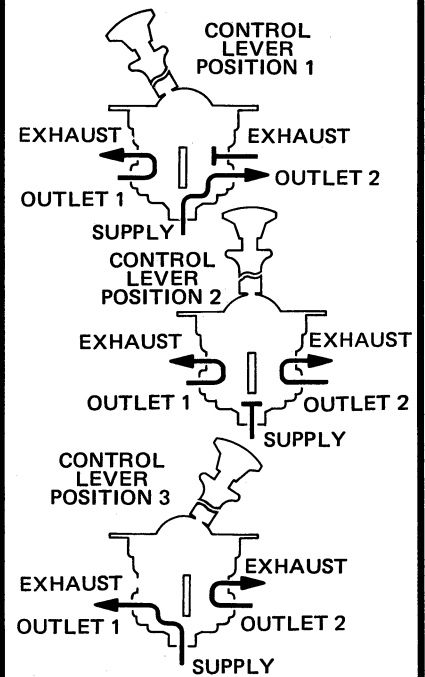


EXTERNAL CONFIGURATION

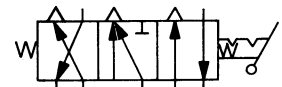


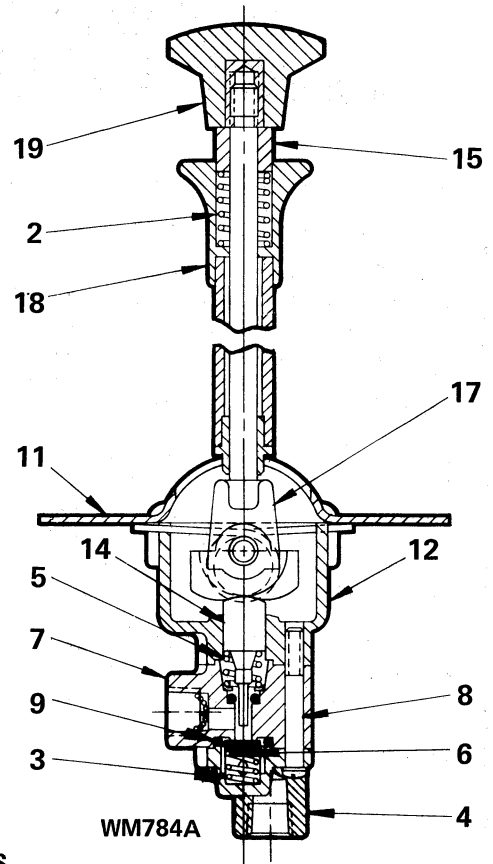
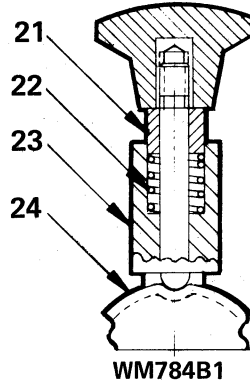
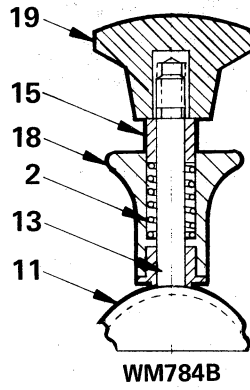
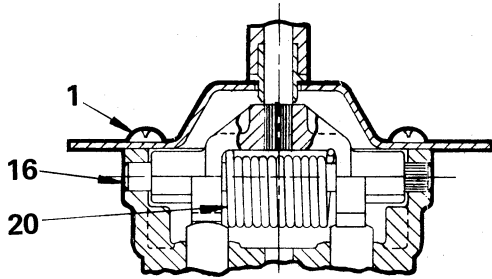
THREE POSITION SPRING RETURN FOUR-WAY CONTROL VALVE

FUNCTIONAL DIAGRAM



I. S. O. SYMBOL





PARTS IDENTIFICATION				
ITEM	DESCRIPTION	QTY		
		WM784A	WM784B	WM784B1
1	SCREW (100110)	4	4	4
2	SPRING (101082)	1	1	
*3	SPRING	2	2	2
4	INLET BODY	1	1	1
*5	SPRING	2	2	2
*6	POPPET	2	2	2
7	BODY ASSY.	2	2	2
8	SCREW	6	6	6
*9	O-RING	2	2	2
11	VALVE COVER (118333)	1	1	
12	UPPER BODY	1	1	1
*14	VALVE STEM	2	2	2
15	HANDLE BUSHING (118295)	1	1	
16	LEVER PIN	1	1	1
17	CAM ASSY. (118496 FOR WM784A, 118495 FOR WM784B MODELS)	1	1	1
18	LATCH ASSY. (118304 FOR WM784A, 118303 FOR WM784B)	1	1	
19	KNOB (118305)	1	1	1
20	SPRING	1	1	1
21	HANDLE BUSHING (118718)			1
22	SPRING (101685)			1
23	HANDLE DETENT (118719)			1
24	VALVE COVER (118717)			1
NA	1/8 MALE TO 1/4 FEMALE NPTF 90° ELBOW (FOR OUTLETS)			2
NA	1/8 MALE TO 1/4 FEMALE NPTF ADAPTER (FOR INLET)			1

Service these units with two 118400 repair kits. *Asterisk designates items included in repair kit.

SPECIFICATIONS

PORT SIZE 1/8-27 NPTF
 (WM784B1 supplied w/1/4-18 NPTF adapters)

MAXIMUM OPERATING PRESSURE. 150 PSI (1034, 2 kPa)

OPERATING TEMPERATURE* . . -20°F to 200°F (-28, 9°C to 93, 3°C)

FLOW RATING. . 15 SCFM @ 100 PSI (0,4 m³/min @ 690 kPa) each side

MOUNTING. Panel Mounted

MOUNTING ATTITUDE Optional

MATERIALS: Body Castings Die Cast Zinc Alloy
 Actuating Cam Die Cast Zinc Alloy
 Poppets. Buna N
 O-Rings. Buna N
 Actuating Lever Shaft Steel
 Knob Black Plastic
 Safety Lockout (WM784A & B only) . Yellow Plastic

NET WEIGHT: WM784A 1 lb., 3 oz. (0, 5 kg)
 WM784B 1 lb., 1 oz. (0, 5 kg)
 WM784B1 1 lb., 4 oz. (0, 6 kg)

*For continuous operation beyond this range, contact factory.

TO ORDER, SPECIFY				
WM784A _____				
		Model Number	Suffix	
PART NUMBER _____				
SELECT SUFFIX & PART NUMBER BELOW				
SUFFIX	PART NUMBER	LEVER FEATURES	1/8 to 1/4 NPTF FITTINGS	INTERCHANGES W/ WABCO P/N
WM784 A	118318	6" LEVER SAFETY LOCKOUT	NO	2-HA-2Z (P59339)
WM784 B	118437	3" LEVER SAFETY LOCKOUT	NO	
WM784 B1	118713	3" LEVER NEUTRAL DETENT	YES	