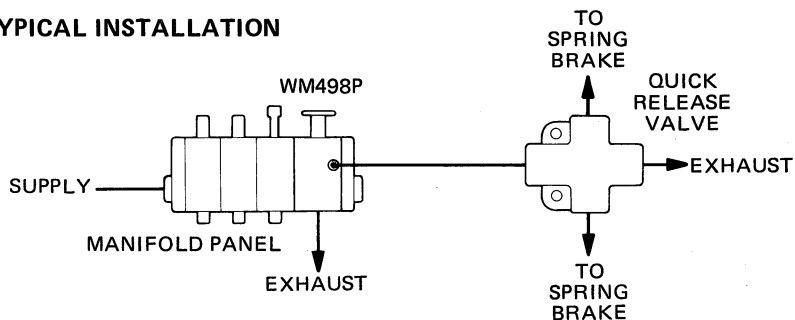
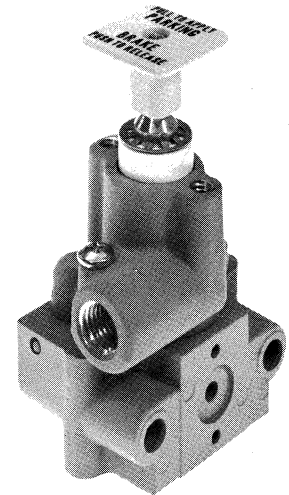
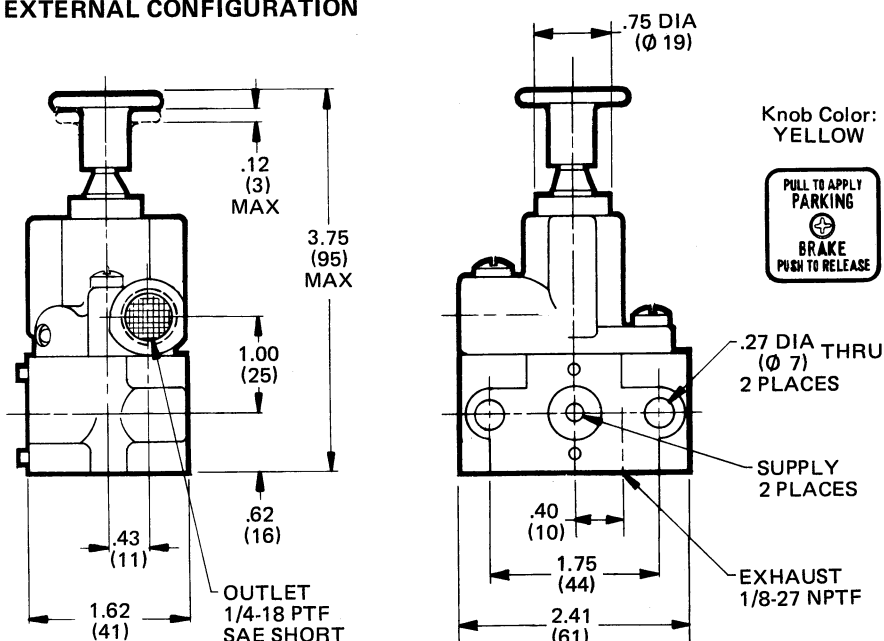
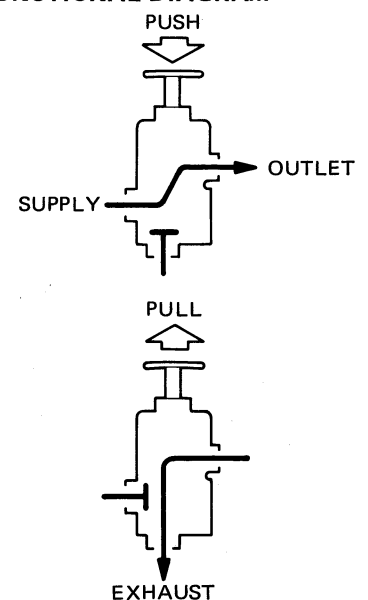
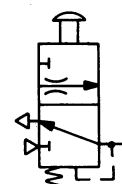


PRODUCT DESCRIPTION

DESCRIPTION The WM498P is a component of the WM498 series manifold panel assemblies. It is a gang-mounted, three-way valve with push-to-open, pull-to-close action. The valve may be opened or closed manually, but will close automatically if supply pressure drops below the minimum holding pressure.

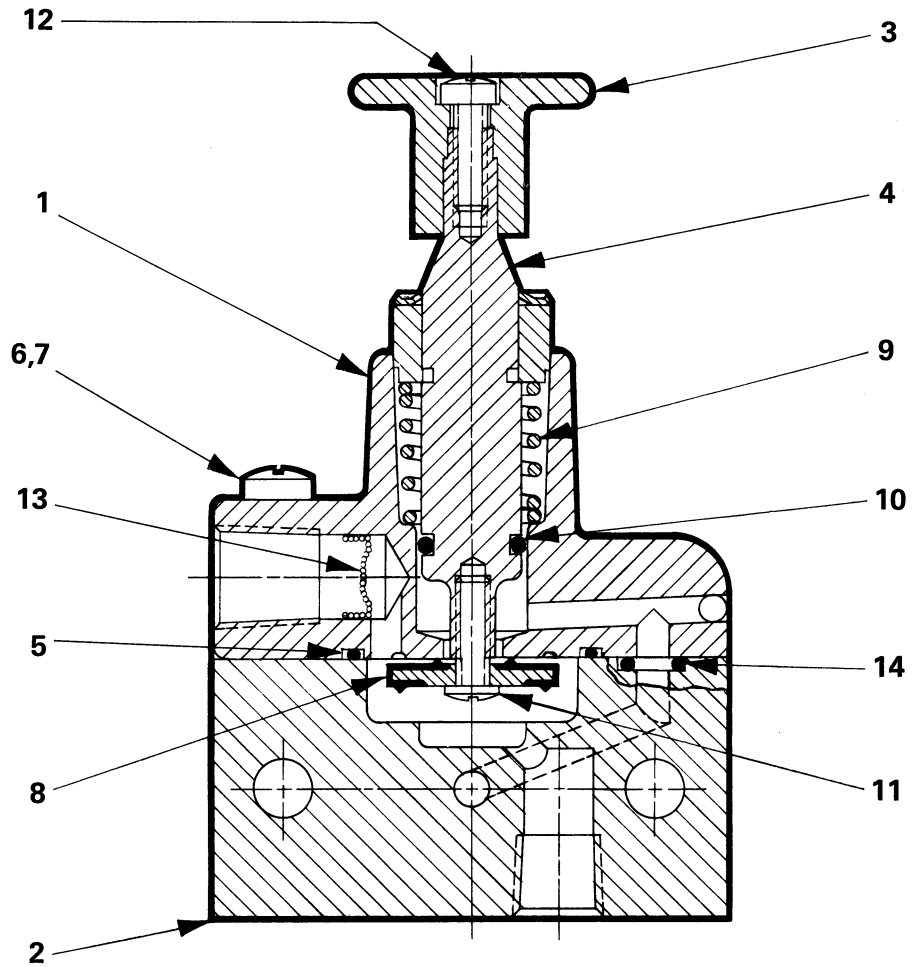
OPERATION The WM498P is a spring-returned, normally closed valve that requires a minimum supply pressure of 45 PSI (310,3 kPa) to keep the valve open after manual operation. When the knob is pushed in, air flows from the supply port to the outlet port. When the knob is manually pulled out, or when the supply pressure drops to the 20-45 PSI (137,9-310,3 kPa) range, the supply port closes, and any pressure at the outlet port is released through the exhaust port.

APPLICATION As a part of WM498 manifold panel, the WM498P can be used in most industrial or vehicular pneumatic systems where a three-way valve is required. It is commonly used in the air brake systems of heavy duty vehicles to control the manual or automatic application of the spring brakes.

TYPICAL INSTALLATION

EXTERNAL CONFIGURATION

**THREE-WAY
PUSH/PULL
VALVE**
FUNCTIONAL DIAGRAM

I.S.O. SYMBOL


PARTS IDENTIFICATION		
ITEM	DESCRIPTION	QTY.
1	STEM BODY ASSEMBLY	1
2	END COVER ASSEMBLY	1
3	BUTTON	1
* 4	STEM ASSEMBLY	1
* 5	O-RING	1
6	SCREW	1
7	SCREW	1
* 8	POPPET	1
9	SPRING	1
* 10	O-RING	1
11	SCREW	1
12	SCREW	1
13	SCREEN	1
14	O-RING	1

Service this unit with repair kit number 100162.
 *Asterisk designates parts included in repair kit.



SPECIFICATIONS

PORT SIZES: Outlet 1/4-18 NPTF
 Exhaust 1/8-27 NPTF

MAXIMUM OPERATING PRESSURE. 150 PSI (1034,2 kPa)

OPERATING TEMPERATURE* . . . -20°F to 200°F (-28,9°C to 93,3°C)

FLOW RATING:

Supply-to-Outlet . . 20 SCFM @ 100 PSI (0,6 m³/min @ 690 kPa)

Outlet-to-Exhaust. . 25 SCFM @ 100 PSI (0,7 m³/min @ 690 kPa)

MINIMUM HOLDING PRESSURE. . . . 35-45 PSI (241,3-310,3 kPa)

AUTO. APPLICATION PRES. 20 to 45 PSI (137,9 to 310,3 kPa)

MATERIALS: Valve Body Castings Aluminum
 Hardware. Cadmium-Plated Steel
 O-Rings and Seals. Buna N

NET WEIGHT. 10 oz. (0,3 kg)

TO ORDER, SPECIFY
WM498P
 Model Number
PART NUMBER 106849

*For continuous operation beyond this range, contact factory.