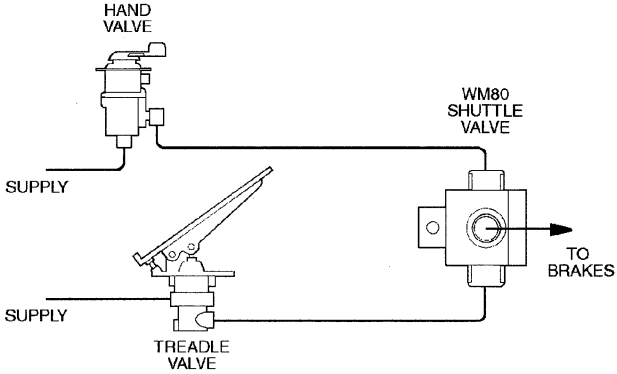


WM80 Series
3/8 Inch
Shuttle Valves

200 SCFM @ 100 PSI

DESCRIPTION

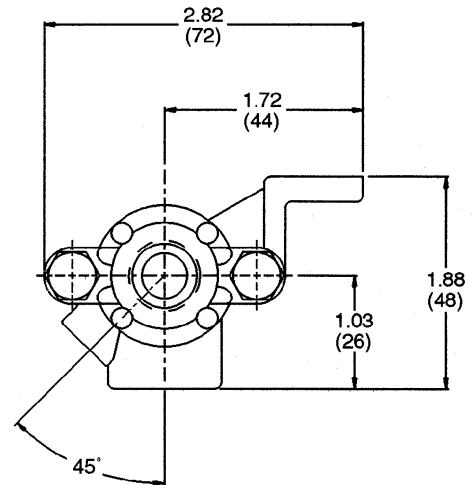
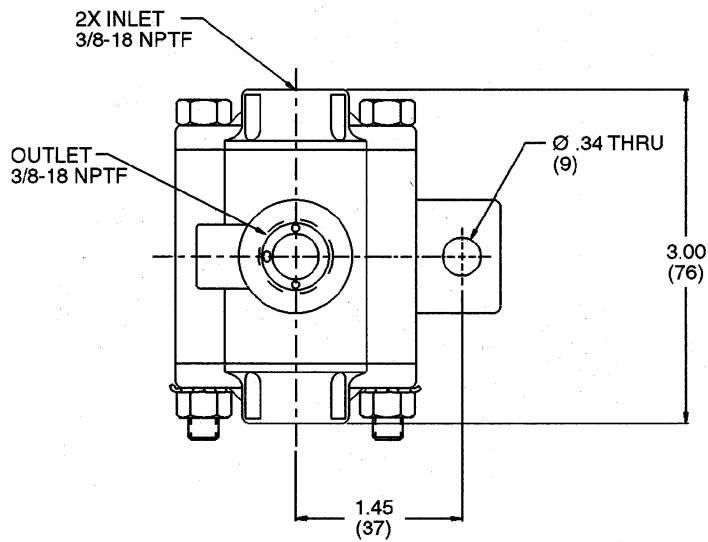
The WM80 is a bracket-mounted shuttle valve engineered for applications which operate with a moderate air flow rate. It functions as a double check valve, allowing two pressure sources to independently supply a single outlet. As long as there is a pressure differential between the two inlets, the shuttle seals off the one with the least pressure. WM80 valves are available with the option of an additional port for installation of a pressure gage or switch. This shuttle valve is commonly used in air brake systems where a hand valve and a treadle are both used to control the same function.



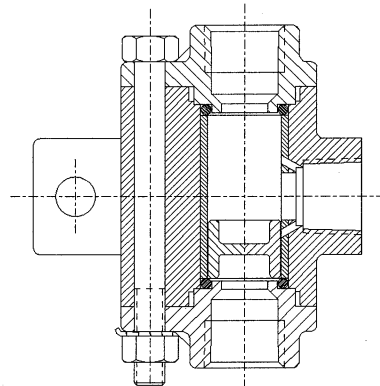
SPECIFICATIONS

Port size	3/8-18 NPTF
Maximum supply pressure	150 PSI (1034 kPa)
Operating temperature	-20°F to 200°F (-29°C to 93°C)
Flow rating	200 SCFM @ 100 PSI (5,4 m ³ /min @ 690 kPa)
Mounting.....	Bracket
Mounting attitude.....	Optional
Materials: Body castings	Iridited die cast zinc alloy
Shuttle.....	Brass
Shuttle chamber.....	Brass
O-rings	Buna N
Weight	15 oz (0,4 kg)

DIMENSIONAL DATA



CROSS SECTION



ORDERING INFORMATION

To order, specify **WM80** _____ (suffix) _____ (part number). Select suffix and part number below.

Suffix	Part Number	Description
WM80 No suffix	111231	Shuttle valve without auxiliary port
WM80 A	111232	Shuttle valve with auxiliary port for gage or switch