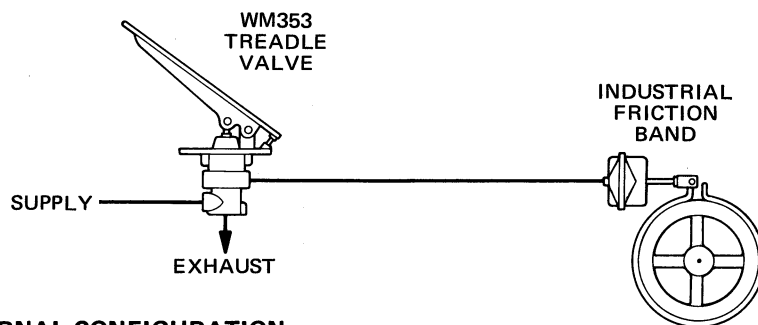
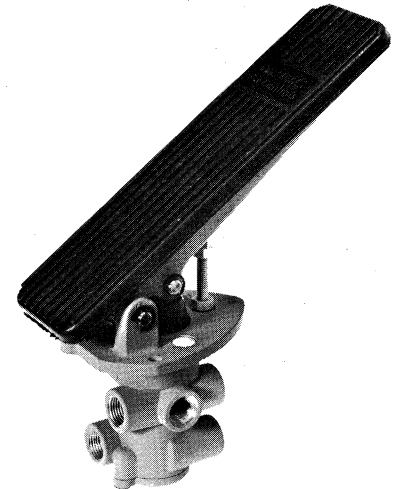
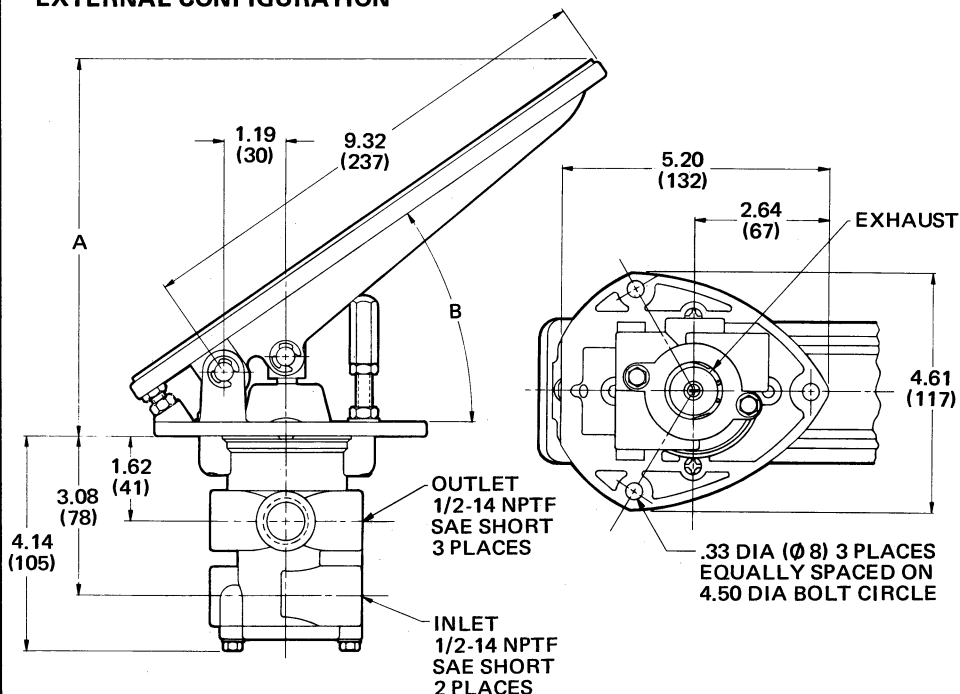
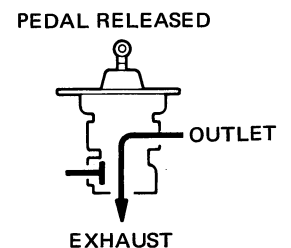
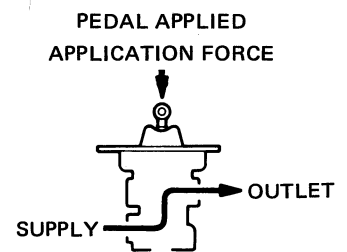
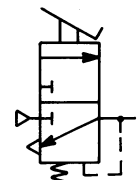


**PRODUCT DESCRIPTION**

**DESCRIPTION** The WM353 series consists of several treadle valves engineered for industrial applications. Each unit incorporates a three-way, compensating WM352A pressure regulator that features diaphragm construction and precise response to pedal movement. The WM353 treadle valves are available with various compensating output ranges and treadle angles. Certain models are equipped with an adjustable treadle stop which lets the customer limit the valve's output pressure.

**OPERATION** When the pedal is applied, the balance piston closes the exhaust port and opens the supply port. In relation to the amount that the pedal is depressed, the regulator valve modulates the air pressure to the outlet port. If the WM353 treadle valve is equipped with an adjustable treadle stop, the valve will achieve its preset maximum output pressure when the pedal contacts the stop. As the pedal returns to the rest position, the valve exhausts the outlet pressure to the atmosphere.

**APPLICATION** The WM353 three-way, compensating treadle valves are commonly installed in industrial applications. Typical uses include the operation of drum friction bands, industrial clutches, and other sensitive machinery.

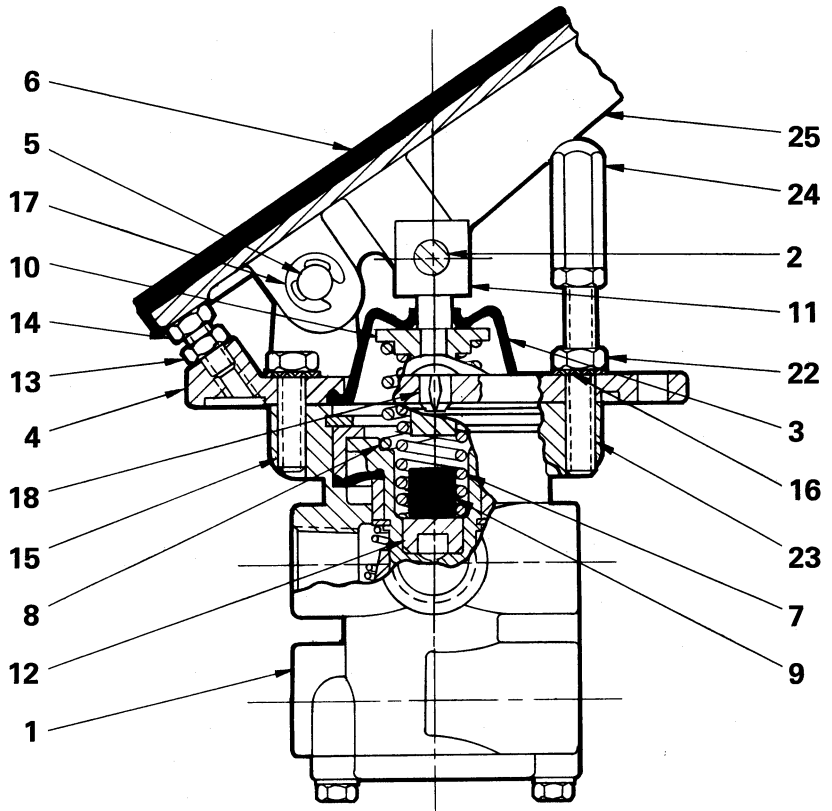
**TYPICAL INSTALLATION**

**EXTERNAL CONFIGURATION**

**INDUSTRIAL  
TREADLE  
VALVE**
**FUNCTIONAL DIAGRAM**

**I.S.O. SYMBOL**


**PARTS IDENTIFICATION**

ITEM	DESCRIPTION	QTY.			
		A	C	D	E
1	VALVE (WM352A)	1	1	1	1
2	PIN	1	1	1	1
* 3	DUST BOOT	1	1	1	1
4	MOUNTING PLATE	1	1	1	1
5	TREADLE PIN	1	1	1	1
6	TREADLE COVER	1	1	1	1
7	SPRING	1	1	1	1
8	SPRING		1	1	1
* 9	RUBBER SPRING	1		1	1
10	SPRING CUP	1	1	1	1
11	PUSH ROD	1	1	1	1
12	SPACER	1	1	1	1
13	NUT	1		1	
14	SCREW	1	1	1	1
15	SCREW	1	1	1	1
16	LOCKWASHER	2	2	2	2
17	RETAINING RING	4	4	4	4
18	HOLE PLUG	2	2	2	2
22	NUT		2		2
23	TIE ROD		1		1
24	ADJUSTING NUT		1		1
25	TREADLE	1	1	1	1

Service these units with repair kit number 114306. Repair kit includes parts to service the WM352A valve and cartridge assemblies. To replace only the WM352A valve, order part number 112468. To replace only the cartridge in the WM352A, order part number 101979. To replace only the treadle cover, order part number 102376.

\*Asterisk designates parts included in repair kit 114306.



**SPECIFICATIONS**

PORT SIZE . . . . . 1/2-14 NPTF  
 MAXIMUM OPERATING PRESSURE . . . . . 200 PSI (1379,0 kPa)  
 OPERATING TEMPERATURE\* . . . -20°F to 200°F (-28,9°C to 93,3°C)  
 FLOW RATING . . . . . 160 SCFM @ 100 PSI (4,5 m³/min @ 690 kPa)  
 VALVE POSITION IN BRACKET . . . Rotatability on 90° Increments  
 MOUNTING . . . . . Integral Bracket Secured to Floor  
 MOUNTING ATTITUDE . . . . . Optional  
 MATERIALS: Body Castings . . . . . Die Cast Aluminum Alloy  
 Treadle . . . . . Die Cast Aluminum Alloy  
 Treadle Cover . . . . . Fiber-Reinforced Rubber  
 Dust Boot & Rubber Spring . . . . Chloroprene Rubber  
 Diaphragm . . . . . Fabric-Reinforced Buna N  
 O-Ring & U-Cup Seals . . . . . Buna N  
 NET WEIGHT . . . . . 3 lbs. 8 oz. (1,6 kg)

\*For continuous operation beyond this range, contact factory.

**TO ORDER, SPECIFY**

**WM353** \_\_\_\_\_

Model Number      Suffix

**PART NUMBER** \_\_\_\_\_

**SELECT SUFFIX & PART NUMBER BELOW**

SUFFIX	PART NUMBER	HEIGHT A	ANGLE B	COMPENSATING RANGE	MAXIMUM OUTPUT	TREADLE STOP
WM353 A	112475	6.5 in. (165 mm)	30°	0-110/130 PSI (0-758/896 kPa)	Equal to Supply	NO
WM353 C	112477	8.5 in. (216 mm)	45°	0-55/65 PSI (0-379/448 kPa)	65 PSI (448 kPa)	YES
WM353 D	112478	6.5 in. (165 mm)	30°	0-110/130 PSI (0-758/896 kPa)	Equal to Supply	NO
WM353 E	112479	8.5 in. (216 mm)	45°	0-110/130 PSI (0-758/896 kPa)	Equal to Supply	YES