

Arens Controls Automatic Shifter Strip Switch

- Applications that require high cycle life and redundant switching

Examples include:

- Electric vehicles
 - Automatic transmissions
 - CAN Controllers
- 3 or 4 Button Vertical & Horizontal snap in mounting
 - Soft elastomeric buttons for positive tactile feedback
 - Redundant non-contact high cycle life switching
 - J1939 Protocol CAN output
 - Dual color backlighting for visual confirmation of valid button selection
 - White night-time illumination
 - Green tell-tale button selection indication
 - Validation per ISO16750, ISO7637, ISO10605, ISO11452, CISPR25 for rugged robust commercial vehicle requirements needing high reliability, vibration/shock resistance, and EMC protection
 - IP67 sealing for environments demanding dust/moisture protection
 - Neutral rim tactile identification to maintain driver's eyes on the road
 - Customization available – Software & button graphics



SPECIFICATIONS

ELECTRICAL

SUPPLY VOLTAGE	9-32VDC
CONNECTOR	Deutsch 12 pin DTM Series
BACKLIGHTING	White Night Time, Green Telltale Button Selection
CAN OUTPUT	J1939 protocol
CURRENT CONSUMPTION	<80mA

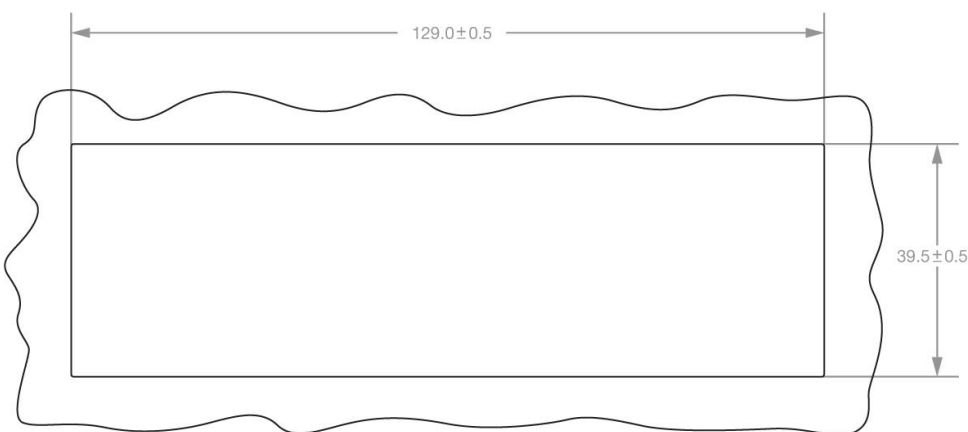
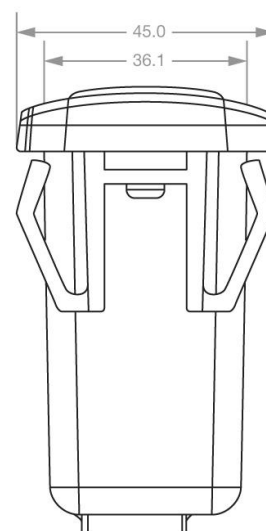
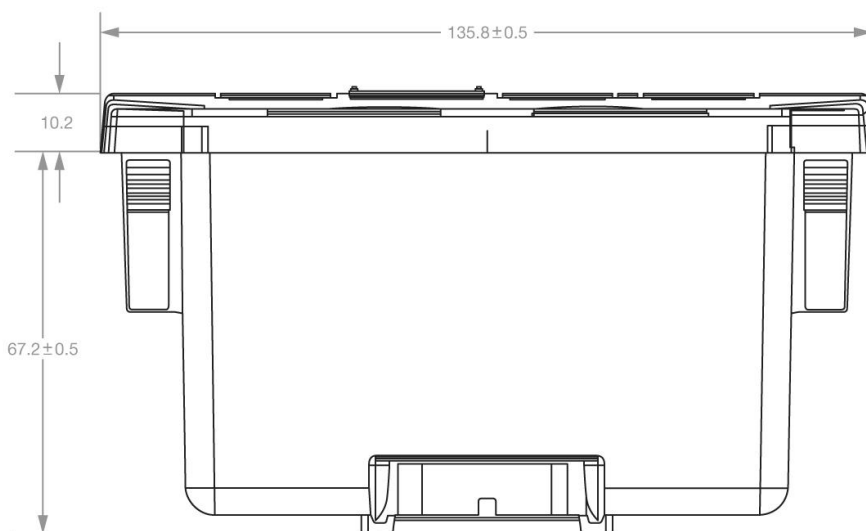
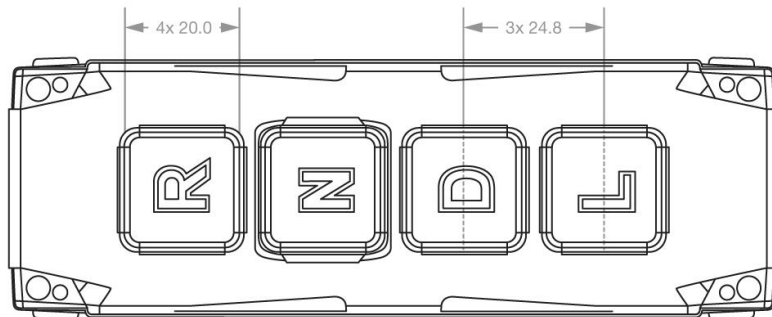
MECHANICAL

BUTTON CONFIGURATIONS	4 or 3 Button vertical & horizontal
CYCLE LIFE	Each button 1.5 million button presses with 95% reliability and 90% confidence
FORCE / TRAVEL	4-12N / 1.25mm tactile elastomer
MOUNTING	Snaps into 129 x 39.5mm panel cutout

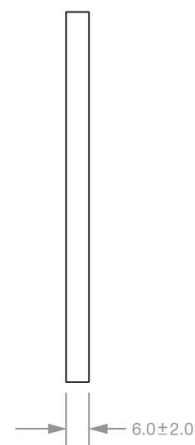
ENVIRONMENTAL

PROTECTION RATING	IP67
OPERATING TEMPERATURE	-40°C to +85°C
STORAGE TEMPERATURE	-40°C to +95°C

MECHANICAL DIMENSIONS (mm)



PANEL CUTOUT



© 2021 Curtiss-Wright. All rights reserved. Specifications are subject to change without notice. All trademarks are property of their respective owners.

GSS – 01/21Provisional



USA LA
California
T: +1.714.982.1860

cwig.us@curtisswright.com
www.cw-industrialgroup.com

Europe Christchurch
United Kingdom
T: +44.1202.034000

cwig.uk@curtisswright.com
www.cw-industrialgroup.com

Asia Taipei
Taiwan
T: +886.2.2778.1900

cwig.tw@curtisswright.com
www.cw-industrialgroup.com