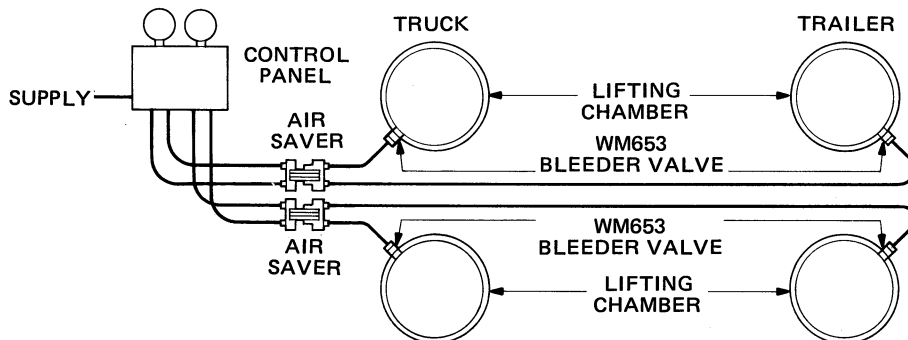
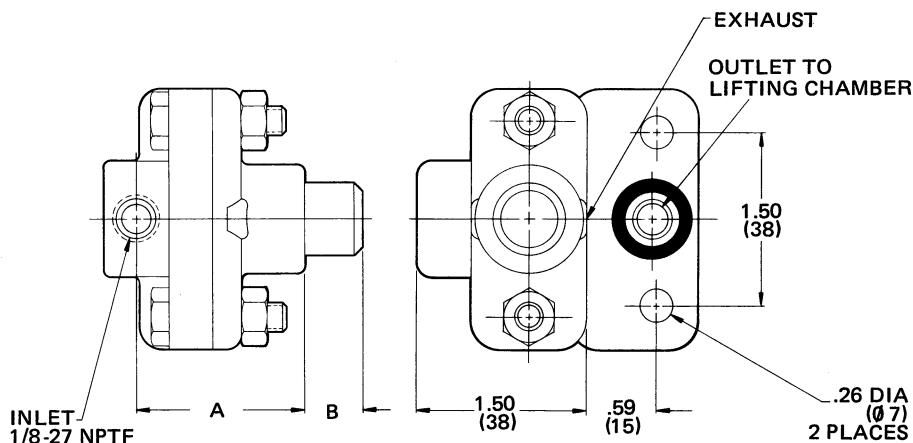
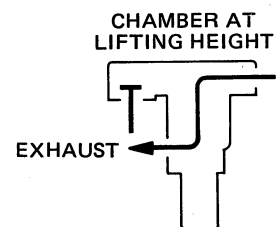
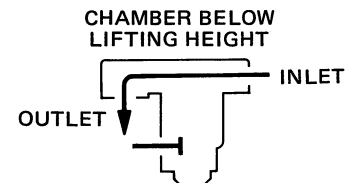
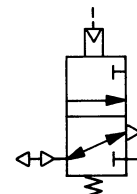


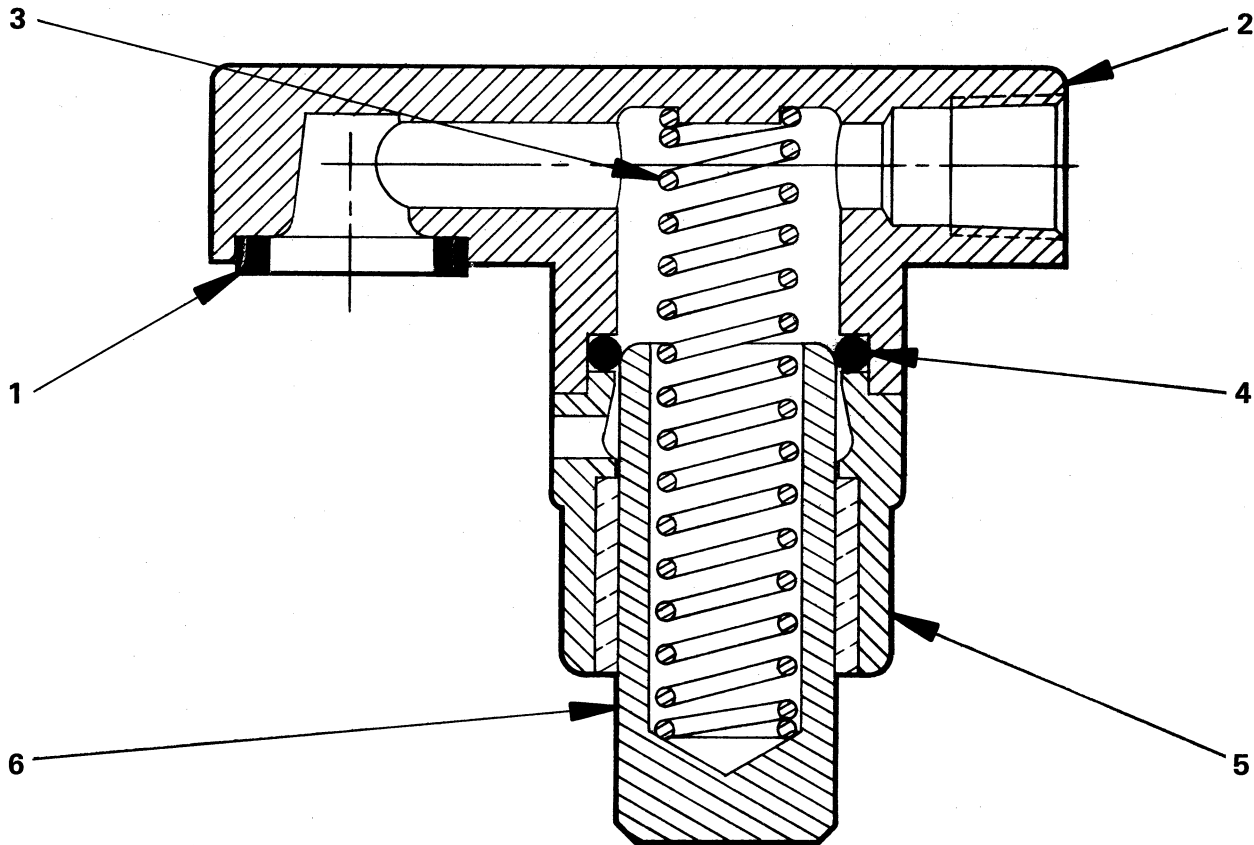
PRODUCT DESCRIPTION

DESCRIPTION WM653 bleeder valves are engineered for use in conjunction with Williams air scales. They function to control pressurization of scale lifting chambers to conform with the load which is being weighed.

OPERATION A WM653 bleeder valve is factory installed on each air scale lifting chamber. The WM653 allows air to flow into the chamber until it is sufficiently pressurized to lift the load. When the chamber rises, the bleeder valve stem is held down by an internal spring to open the valve's exhaust port. The exhausting of supply pressure delivered to the chamber causes a gage on the air scale control panel to stabilize, indicating to the operator that the chamber has lifted the load.

APPLICATION WM653 bleeder valves are designed for use with Williams air scales. Two models are available to conform with the two lifting chamber sizes. Appropriate bleeder valves are included with purchase of air scale kits and lifting chambers.

TYPICAL INSTALLATION

EXTERNAL CONFIGURATION

**AIR SCALE
BLEEDER
VALVE**
FUNCTIONAL DIAGRAM

I.S.O. SYMBOL




PARTS IDENTIFICATIONS		
ITEM	DESCRIPTION	QTY.
* 1	SEAL	1
2	VALVE BODY	1
* 3	SPRING	1
* 4	O-RING	1
* 5	STEM	1
6	GUIDE COVER	1
N.A.	SCREW	2
N.A.	NUT	2

Service the WM653C with repair kit number 114514. Service the WM653D with repair kit number 114515.
 *Asterisk indicates items included in repair kit.

SPECIFICATIONS

PORTS: Inlet 1/8-27 NPTF
 Outlet Gasket Seal
 MAXIMUM OPERATING PRESSURE 150 PSI (1034,2 kPa)
 OPERATING TEMPERATURE* . . . -20°F to 200°F (-28,9°C to 93,3°C)
 MOUNTING. Secured To Lifting Chamber
 MOUNTING ATTITUDE Horizontal
 MATERIALS: Body Castings Die Cast Aluminum Alloy
 Valve Stem Stainless Steel
 O-Ring Buna N
 NET WEIGHT: WM653C 7 oz. (0,2 kg)
 WM653D 8 oz. (0,2 kg)

*For continuous operation beyond this range, contact factory.

TO ORDER, SPECIFY

WM653 _____

Model Number Suffix

PART NUMBER _____

SELECT SUFFIX & PART NUMBER BELOW

SUFFIX	PART NUMBER	FOR LIFTING CHAMBER	A	B
WM653 C	113978	WM651A	1.74 in. (44,2 mm)	.63 in. (16,0 mm)
WM653 D	113979	WM652A	1.99 in. (50,6 mm)	.74 in. (18,8 mm)