

NEW HORIZONS

VR2

DUAL ATTENDANT CONTROL SYSTEM

- Dual Attendant control option for VR2 control system
- Push button exchange of control between user and attendant
- Dual Attendant control of seat actuators
- Dual Attendant control of maximum speed
- Easy installation via push-fit connectors
- Modular system that is easy to upgrade
- Plug and Play - The VR2 automatically detects the presence of a Dual Attendant Module

The VR2 Dual Attendant control system consists of a Joystick Module, Power Module and Dual Attendant Module.

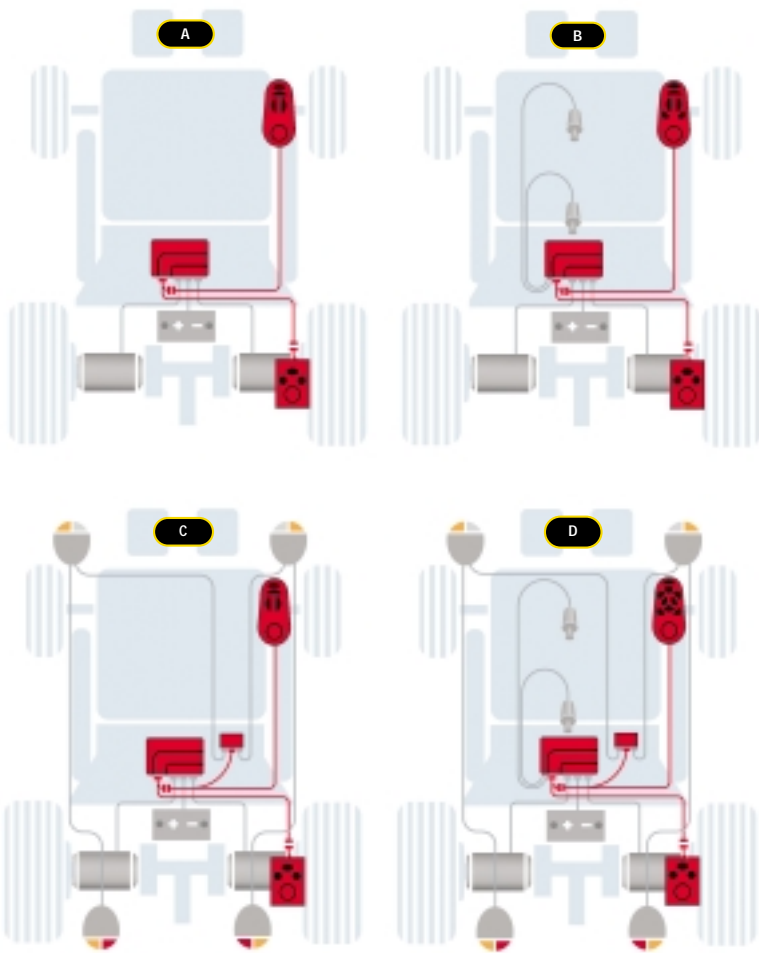
This allows the drive and actuator functions of the power-chair to be controlled either by the occupant, or by an attendant from another location on the powerchair.

Control is easily exchanged via a push-button, and the attendant can limit the maximum speed of the chair to a comfortable walking pace. Control of up to two actuators is available when connected to a suitable VR2. This allows the attendant to alter the position of the seat without having to return control to the user. The mode of operation, selected actuator and speed setting are all clearly indicated to the attendant by extra bright LEDs. The attendant also receives audible feed-back for each successful button actuation.

The dimensions and fixing centres have been designed to allow for simple installation on chairs designed for the existing PGDT Dual Attendant Modules.

Upgrading to include Attendant control can be achieved without replacing the Joystick Module or the Power Module. The VR2 Power Module will recognise the Dual Attendant Module once powered on and enable its functionality.





PG DRIVES TECHNOLOGY INC
 2532 East Cerritos Avenue
 Anaheim
 CA 92806-5627 USA
 Tel: +1 (714) 712 7911
 Fax: +1 (714) 978 9512
 www.pgdt.com

PG DRIVES TECHNOLOGY LTD
 1 Airspeed Road
 Christchurch
 Dorset BH23 4HD UK
 Tel +44 (0) 1425 271444
 Fax +44 (0) 1425 272655
 www.pgdt.com

PG DRIVES TECHNOLOGY ASIA
 Taiwan International Business Center
 4F, 25, Sec. 1 Tunhua S. Rd.
 Taipei Taiwan ROC
 Tel +886 (0)2 2579 1821
 Fax +886 (0)2 2579 8381
 www.pgdt.com

VR2 is a trademark of
 PG Drives Technology Ltd.
 Information and specification
 contained within this
 publication may change
 without notice.

SK78064



VR2

DUAL ATTENDANT CONTROL SYSTEM

PRODUCT CODES

- Configuration **A** VR2 JSM, VR2 PMxx and VR2 Dual Attendant.
- Configuration **B** VR2 JSM-A, VR2 PMxx-Ay and VR2 Dual Attendant.
- Configuration **C** VR2 JSM-L, VR2 PMxx, LM and VR2 Dual Attendant.
- Configuration **D** VR2 JSM-A-L, VR2 PMxx-Ay, LM and VR2 Dual Attendant.

xx = power rating - 60A or 70A
 y = number of actuators - 1 or 2

Dual Attendant VR2 Dual Attendant Module

SPECIFICATIONS

Supply Voltage	24Vdc
Operating Voltage	16Vdc to 28Vdc
Peak Voltage	38Vdc
Reverse Battery Voltage	40Vdc
Moisture Resistance	IPX4
Operating Temperature	-25°C to +50°C
Storage Temperature	-40°C to +65°C
Safety	Multiple hardware & software strategy Designed to ISO7176/14

EMC on sample powerchair

Susceptibility: Tested at 30V/m to EN12184 and ANSI/RESNA requirements

Emissions: To EN55022 Class B

ESD: IEC801 part 2

For further details refer to VR2 Technical Manual SK77898

DIMENSIONS

