



Williams Controls

WM-148

Williams Customer Specification



DESCRIPTION

The WM148 series consists of various spring-returned, three-way push buttons valves. These valves are available with several different button designs. All of the WM148 valves are operated manually by a button device mounted to an actuating push stem.

OPERATION

The operator actuates the WM148 valve by depressing the button and stem. The stem closes the exhaust vent, opens the supply port and allows supply pressure to flow to the outlet port. When the button and stem are released to the atmosphere through the exhaust vent

APPLICATIONS

The WM148 push button valves are universal application valves designed for controlling small air cylinders, relay valves, or air-operated accessories in industrial or vehicular pneumatic systems. Because these valves are often used to provide a control signal to other Williams air controls products, the WM148 valves are frequently supplied as components in Williams valve kits.

CURTISS - WRIGHT	PROCEDURE NAME:	DEPT:	030				
	Williams Customer Specification Form						
DOCUMENT NUMBER:	WQF-030-021	Revision Level	A	Date Effective	11/13/07	DAF#	00396
QEMS Representative	Mary Knight	Process Owner	Michael Cooper	Department Manager	Scott Thiel		

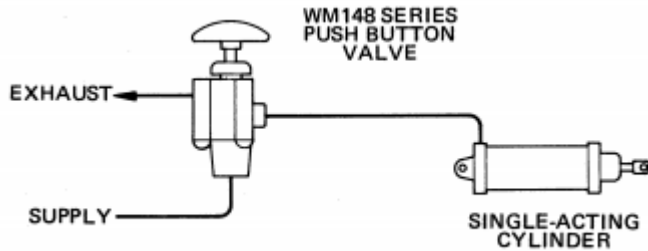


SPECIFICATIONS

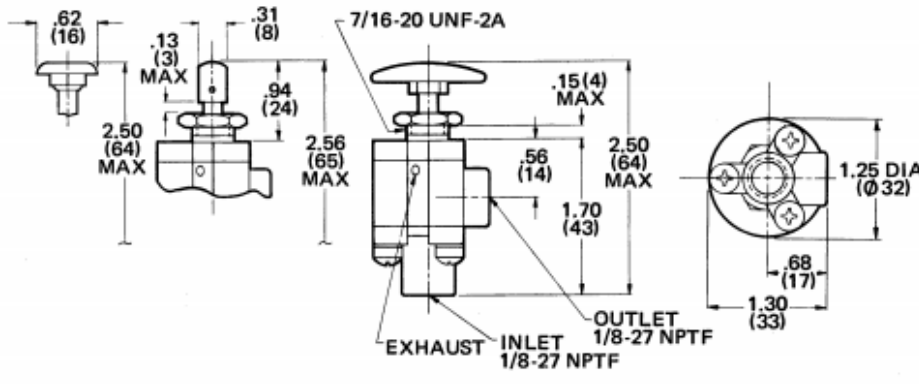
Port Size	1/-27NPTF
Maximum Operating Pressure	150 PSI (1034.2 kPa)
Operating Temperature	-28.9°C to 93.3°C
Flow Rating	15SCFM @ 100 PSI (0.4 m³/min @ 690kPa)
Mounting	Secured to Instrument Panel or Bracket
Mounting Attitude	Optional
Materials	
Body Castings	Zinc Alloy
Stems	
Wm148A & W	Stainless Steel
WM148B	Aluminum
Button Actuators	
WM148A & W	Chrome-Finished Zinc Alloy
WM148B	Nylon
Net Weight	3.0oz (0.1 kg)

For continuous operation beyond this range, contact factory

TYPICAL INSTALLATION



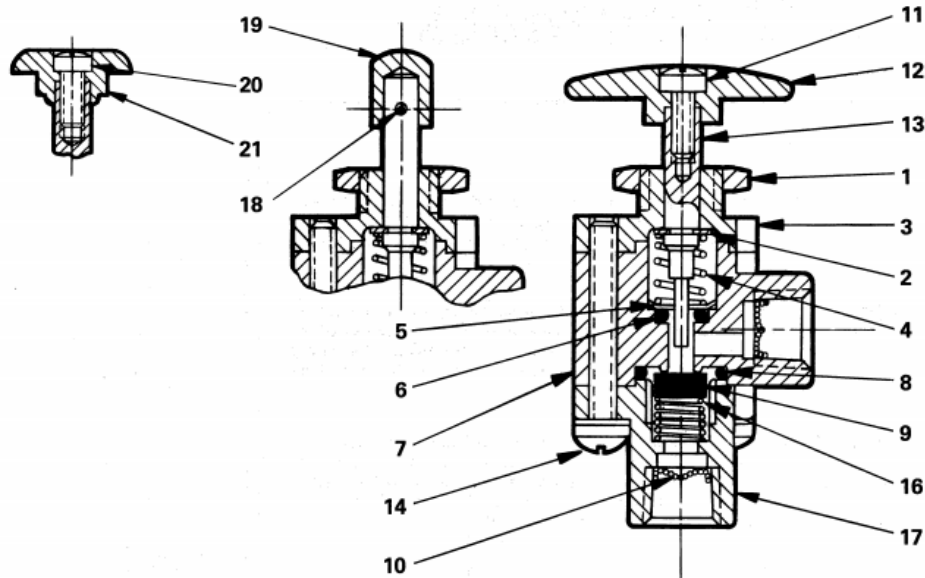
EXTERNAL CONFIGURATION



CURTISS - WRIGHT	PROCEDURE NAME:	DEPT:	030				
	Williams Customer Specification Form						
DOCUMENT NUMBER:	WQF-030-021	Revision Level	A	Date Effective	11/13/07	DAF#	00396
QEMS Representative	Mary Knight	Process Owner	Michael Cooper	Department Manager	Scott Thiel		



PART IDENTIFICATION



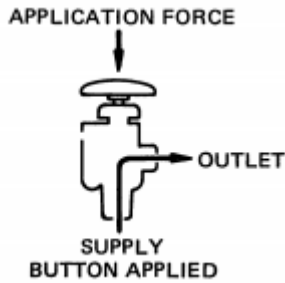
Item	Description	QTY		
		A	B	W
1	Nut	1	1	1
2	Retaining Ring	1	1	1
3	Mounting Body	1	1	1
4	Spring	1	1	1
5	Retaining Ring	1	1	1
6	O-Ring	1	1	1
7	Center Body	1	1	1
8	O-Ring	1	1	1
9	Poppet	1	1	1
10	Screen	1	1	1
11	Screw			1
12	Button			1
13	Stem	1	1	1
14	Screw	3	3	3
NA	Spring Cap	1		
16	Spring	1	1	1
17	Inlet Body	1	1	1
18	Roll Pin		1	
19	Stem Cap		1	
20	Screw	1		
21	Know	1		

CURTISS - WRIGHT	PROCEDURE NAME:	DEPT:	030				
	Williams Customer Specification Form						
DOCUMENT NUMBER:	WQF-030-021	Revision Level	A	Date Effective	11/13/07	DAF#	00396
QEMS Representative	Mary Knight	Process Owner	Michael Cooper	Department Manager	Scott Thiel		

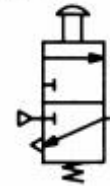


To Order, Specify WM148 Model Number Suffix Part Number _____ Select Suffix & Part Number Below		
Suffix	Part Number	Actuator Description
WM148 A	111549	Small Know
WM148 B	111550	Stem Cap
WM148 W	111561	Large Button

FUNCTIONAL DIAGRAM



I.S.O. SYMBOL



USA Portland
Oregon
T: +1.503.684.8600
cwig.us@curtisswright.com
www.cw-industrialgroup.com

Europe Garching
Germany
T: +44.89.5404.100.0
cwig.de@curtisswright.com
www.cw-industrialgroup.com

Asia Shanghai
China
T: +86.213.3310670
cwig.cn@curtisswright.com
www.cw-industrialgroup.com

		PROCEDURE NAME:	DEPT:	030			
		Williams Customer Specification Form					
DOCUMENT NUMBER:	WQF-030-021	Revision Level	A	Date Effective	11/13/07	DAF#	00396
QEMS Representative	Mary Knight	Process Owner	Michael Cooper		Department Manager	Scott Thiel	