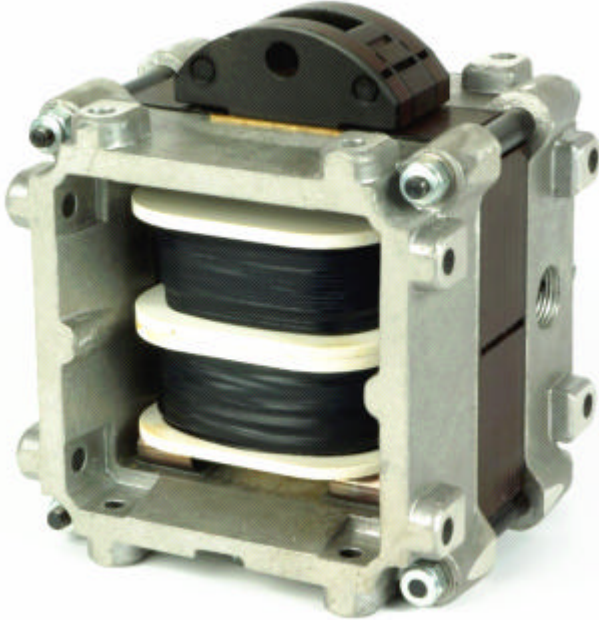


# AC Laminated Solenoid (Series 700)

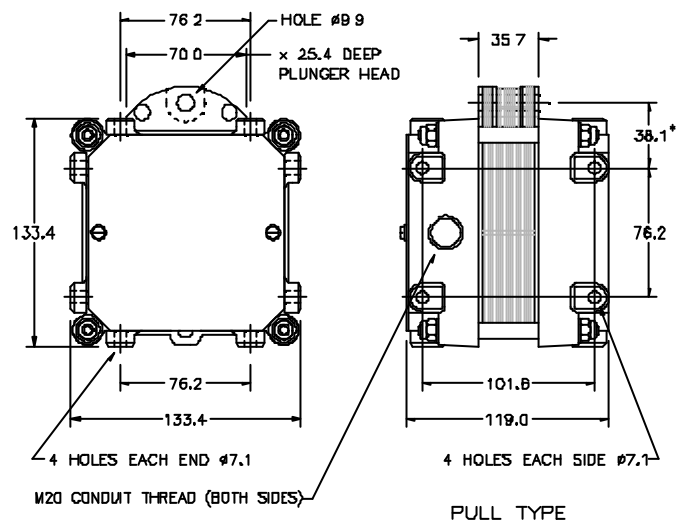
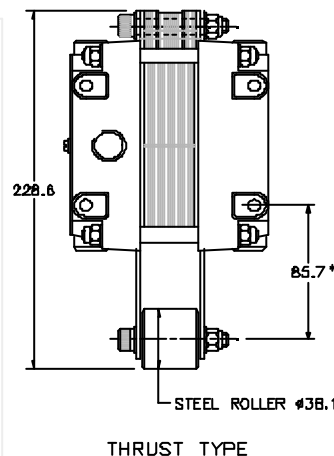
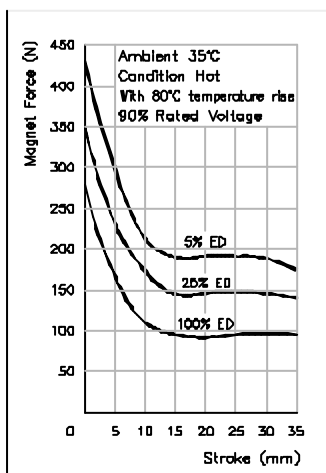
ML36121

## OBSOLETE PRODUCT



- Optional Thrust or Pull Type
- High Force Dual-Coil Design
- Fast Response Time
- Rugged Design for Long Life
- Varnish Impregnated Coil
- Brass Guides
- Copper Shading Rings
- Various Voltages and Frequencies
- Spares Kits Available

If plunger works with gravity:  
stroke force = magnet force + plunger weight force.  
If plunger works against gravity:  
stroke force = magnet force - plunger weight force.



\* DIMENSIONS WITH SOLENOID ENERGISED.  
TOLERANCES (UNLESS STATED)  $\pm 0.4$ mm