



Williams Controls

WM-783

Williams Customer Specification

Original Release: 09/82
Original Project: 119875



APPLICATIONS

The WM783A is a versatile control valve with a variety of industrial and vehicular applications. WM783A valves are frequently used to control air operated relay valves, cylinders and power take off systems.

OPERATION

When the WM783 valve's control lever is in position 1 (refer to external configuration) outlet port 2 receives supply pressure and outlet 1 is exhausted. Both outlet ports are exhausted in position 2, which is the neutral or 'hold' position and in position 3, outlet port 1 receives supply pressure and outlet 2 is exhausted

DESCRIPTION

The WM738 series is composed of non-compensating four-way control valves with three functional positions. WM738 valves are available with two types of lever operation: WM783A1 models have a detent in each of the valve's lever positions and WM783A models are equipped with a spring-loaded lockout safety device, which locks the control lever in each of the three positions to prevent unintentional movement.

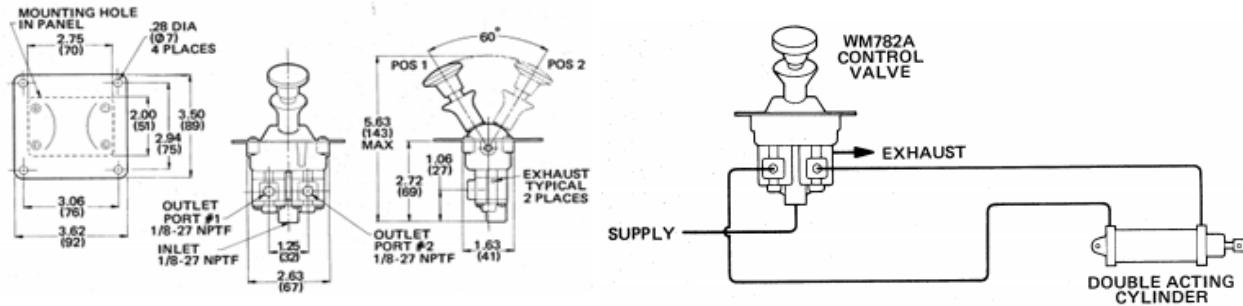
CURTISS - WRIGHT	PROCEDURE NAME:					
	Williams Customer Specification Form					
DOCUMENT NUMBER:	119875	Revision Level	A	Date Effective	09/1982	DAF#



SPECIFICATION

Port Size	1/8-27 NPTF
Maximum Operating Pressure	150 PSI (1034, 2kPa)
Operating Temperature	-28.9°C to 93.3°C
Flow Rating	15 SCFM @ 100 PSI (0.4m ³ /min @ 690 kPa)
Mounting	Panel Mounted
Mounting Attitude	Optional
Materials	
Body Casting	Die Cast Zinc Alloy
Actuating Cam	Die Cast Zinc Alloy
Poppet	Buna N
O-rings	Buna N
Actuating Lever Shaft	Steel
Knob	Black Plastic
Safety Lockout	Yellow Plastic
Net Weight	
WM782A	1lb, 1oz (0.5kg)
WM782A1	1lb, 4oz (0.6kg)

For Continuous operation beyond this range, contact factory.



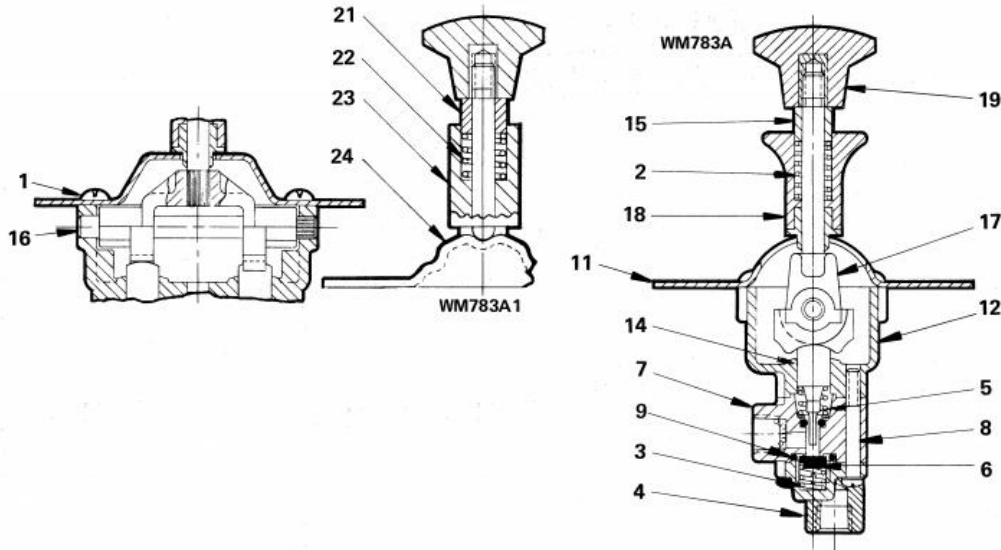
TO ORDER

To order Specify Model Number, Suffix, Part Number below				
Suffix	Part Number	Lever Features	1/8 to 1/4 NPTF Fittings	Interchanges W/ WABCO P/N
WM783 A	118317	SAFETY LOCKOUT	NO	2-HA-2L(P62082) 2-HA-A2L (P59336-003)
WM783 A1	118712	TWO DETENETS	YES	2-HA-2(P59335)

CURTISS - WRIGHT	PROCEDURE NAME:						
	Williams Customer Specification Form						
DOCUMENT NUMBER:	119875	Revision Level	A	Date Effective	09/1982	DAF#	



PARTS IDENTIFICATION



ITEM	DESCRIPTION	QTY	
		WM782A	WM782A1
1	Screw (100110)	4	4
2	Spring (101082)	1	
3	Spring	2	2
4	Inlet Body	1	1
5	Spring	2	2
6	Poppet	2	2
7	Body Assy	2	2
8	Screw	6	6
9	O-Ring	2	2
11	Valve Cover (118288)	1	
12	Upper Body	1	1
14	Valve Stem	2	2
15	Handle Bushing (118295)	1	
16	Lever Pin	1	1
17	Cam Assy (118491)	1	1
18	Latch Assy (118303)	1	
19	Knob (118305)	1	1
21	Handle Bushing (118718)		1
22	Spring (101685)		1
23	Handle Detent (118719)		1
24	Valve Cover (118715)		1
NA	1/8 Male to 1/4 Female NPTF 90° Elbow (for outlets)		2
NA	1/8 Male to 1/4 Female NPTF Adapter (For inlet)		1

USA Portland
Oregon
T: +1.503.684.8600
cwig.us@curtisswright.com
www.cw-industrialgroup.com

Europe Garching
Germany
T: +44.89.5404.100.0
cwig.de@curtisswright.com
www.cw-industrialgroup.com

Asia Shanghai
China
T: +86.213.3310670
cwig.cn@curtisswright.com
www.cw-industrialgroup.com

CURTISS- WRIGHT	PROCEDURE NAME:						
	Williams Customer Specification Form						
DOCUMENT NUMBER:	119875	Revision Level	A	Date Effective	09/1982	DAF#	