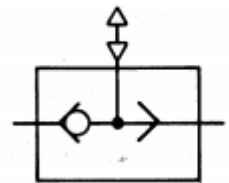


Release: 10/91
Original Project: 119884

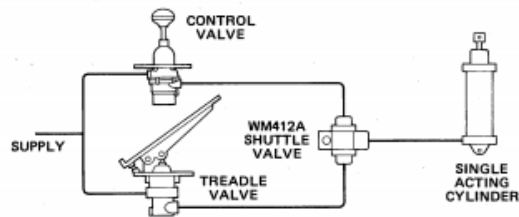


I.S.O. SYMBOL



DESCRIPTION

The WM412A is a bracket mounted shuttle valve with a 34 SCFM flow capacity. It functions as a double check valve, allowing two pressure sources to independently supply a single outlet. The WM412A is equipped with an elastomer shuttle, which moves freely back and forth in an internal chamber connecting the valve's two inlet ports. As long as there is a pressure differential between the two inlets the shuttle seals off the one with the lesser supply pressure. This allows airflow and backflow between the inlet with the greater supply pressure and the outlet, but prevents air from flowing between the valve's two inlet ports.



CURTISS - WRIGHT	PROCEDURE NAME:					
	Williams Customer Specification Form					
DOCUMENT NUMBER:	119884	Revision Level	A	Date Effective	10/1991	DAF#

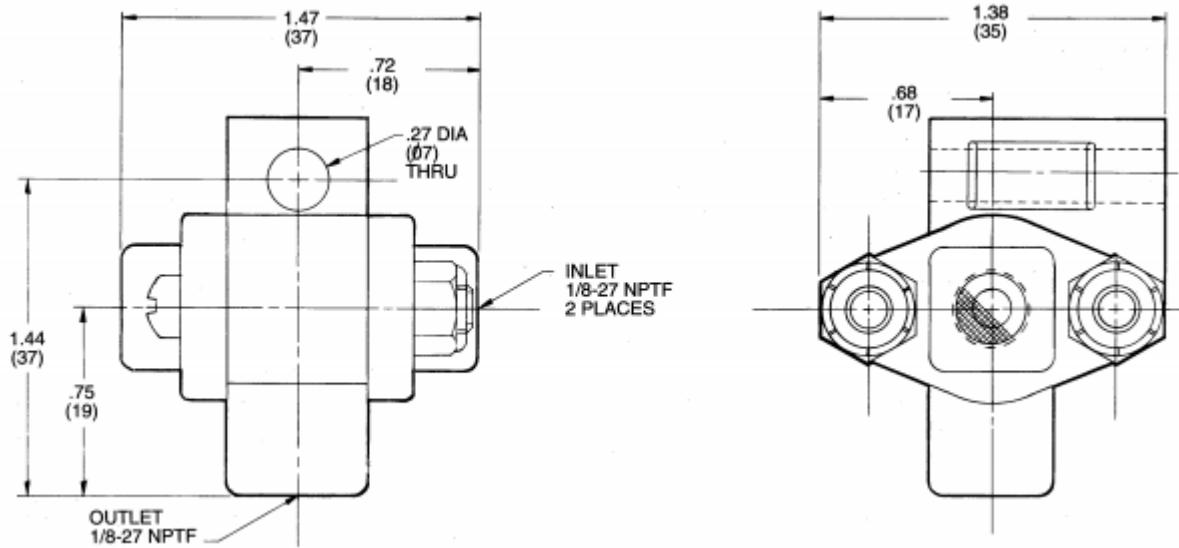


SPECIFICATION

Port Size	1/8-27 NPTF
Maximum Operating Pressure	150 PSI (1034 kPa)
Flow Rating	34 SCFM @ 100 PSI (1m ³ /min @ 690 kPa)
Operating Temperature	-29°C to 93°C
Mounting	Bracket
Mounting Attitude	Optional
Materials	
Body Casting	Die Cast Zinc Alloy
Shuttle	Buna N
O-Rings	Buna N
Weight	4oz (1.0kg)

For Continuous operation beyond this range, contact factory.

DIMENSIONS



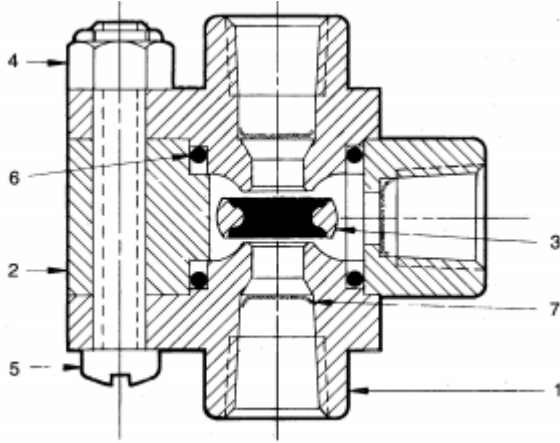
TO ORDER

To order **Specify WM412A, Part Number 112841**

CURTISS - WRIGHT	PROCEDURE NAME:					
	Williams Customer Specification Form					
DOCUMENT NUMBER:	119884	Revision Level	A	Date Effective	10/1991	DAF#



PARTS IDENTIFICATION



ITEM	DESCRIPTION	Part Numbers	QTY
1	End Cap	102923	2
2	Bracket Body	102924	1
3	Poppet	102925	1
4	Nut	114564	2
5	Screw	114707	2
6	O-ring	116345	2
7	Screen	116455	3

USA Portland
Oregon
T: +1.503.684.8600
cwig.us@curtisswright.com
www.cw-industrialgroup.com

Europe Garching
Germany
T: +44.89.5404.100.0
cwig.de@curtisswright.com
www.cw-industrialgroup.com

Asia Shanghai
China
T: +86.213.3310670
cwig.cn@curtisswright.com
www.cw-industrialgroup.com

CURTISS - WRIGHT	PROCEDURE NAME:						
	Williams Customer Specification Form						
DOCUMENT NUMBER:	119884	Revision Level	A	Date Effective	10/1991	DAF#	