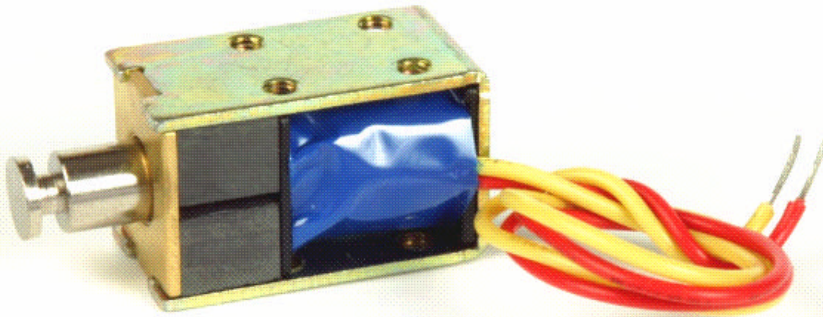


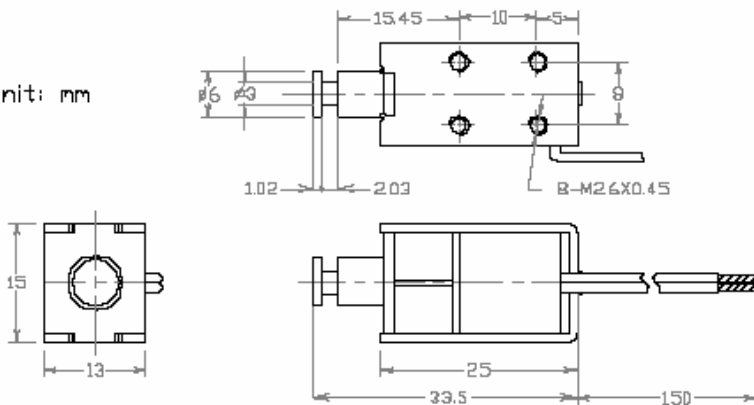
Permanent Magnet

GK0625

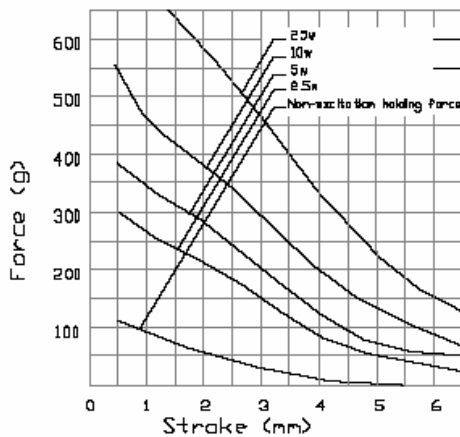


- Pull Type
- Thrust Type
- Flying Leads
- Terminals
- Zinc Plated Frame
- Nickel Plated Plunger
- Customised Plunger Ends
- Customised Fixings
- Optional Voltages

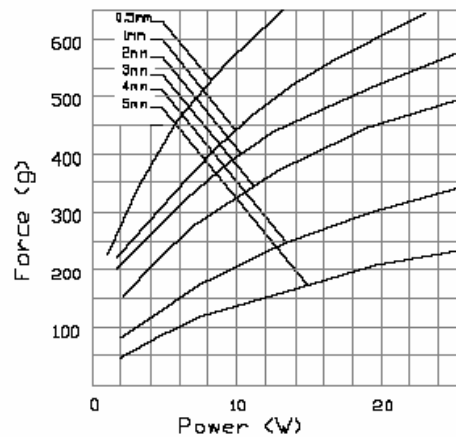
Unit: mm



Stroke and Force



Power and Force



Non-excitation holding force: 750g

Standard Coil Specifications

Cont. rating (at 20°C): 2.5W

Voltage (VDC)	Resistance (Ω)	Current (mA)
6	14.4	417
12	57.6	208
24	230.5	104
48	921.3	52

Total weight: 25.7g

Plunger weight: 4.6g