

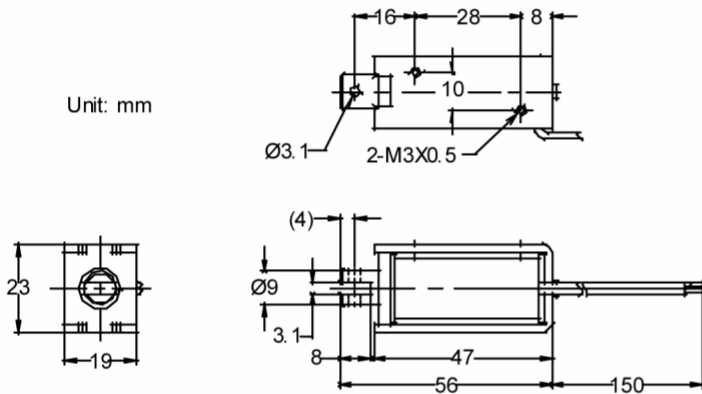
D-Frame Solenoid

GD0947

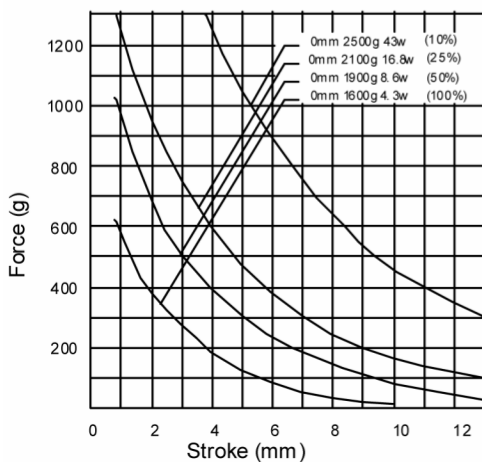


- Pull Type
- Thrust Type
- Flying Leads
- Terminals
- Zinc Plated Frame
- Nickel Plated Plunger
- Customised Plunger Ends
- Customised Fixings
- Optional Voltages

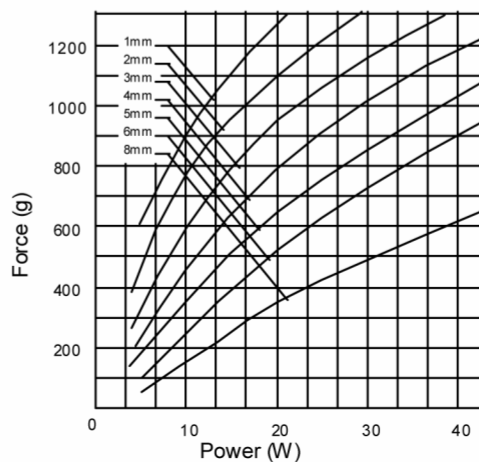
Unit: mm



Stroke and Force



Power and Force



Standard Coil Specifications

Cont. rating(at20 °C):4.3w

| Voltage(VDC) | Resistance(Ω) | Current(mA) |
|--------------|---------------|-------------|
| 6 | 8.4 | 714 |
| 12 | 33.5 | 358 |
| 24 | 134 | 179 |
| 48 | 536 | 90 |

Total weight : 86g

Plunger weight : 18g