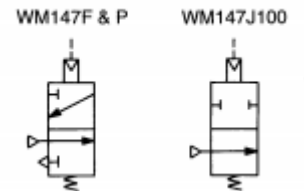




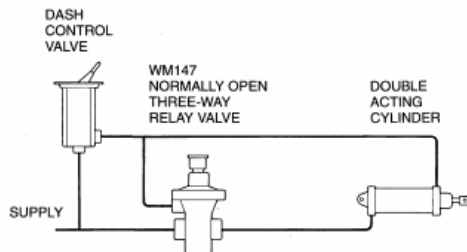
Williams Controls WM-417 Williams Customer Specification

Original Release: 07/92
Original Project: 119961



DESCRIPTION

A variety normally open, non-compensating relays valves are available in the WM147 series. Control pressure is used to close these normally open valves; the required control pressure signal differs with each model. These relays are available either as two-way valves without an exhaust mode is desired or as three-way valves if the exhaust mode is desired. As shown in the installation drawing, the three-way models are used with a two-position control valve in applications where a four-way function is desired.



CURTISS - WRIGHT	PROCEDURE NAME:					
	Williams Customer Specification Form					
DOCUMENT NUMBER:	119961	Revision Level	A	Date Effective	07/1992	DAF#

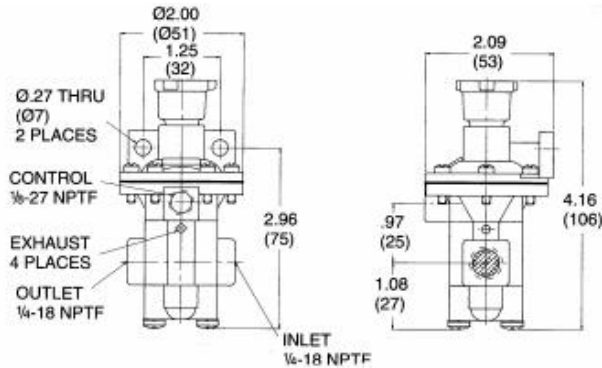


SPECIFICATION

Port Size	
Inlet & Outlet	1/4-18 NPTF
Control	1/8-27 NPTF
Exhaust (WM147 F&P)	Unthreaded
Maximum Operating Pressure	150 PSI (1034kPa)
Operating Temperature	-29°C to 93°C
Flow Rating	35 SCFM @ 100 PSI (1m ³ /min @ 690 kPa)
Mounting	Integral Bracket on cover and Two 1/4" Fasteners
Mounting Attitude	Optional
Materials	
Body Casting	Die Cast Zinc Alloy
Stem	Aluminum
Diaphragm	Fabric-Reinforced Buna N
Poppet	Buna N with Aluminum Backing
O-Rings	Buna N
Net Weight	15oz (0.4kg)

For Continuous operation beyond this range, contact factory.

DIMENSIONS



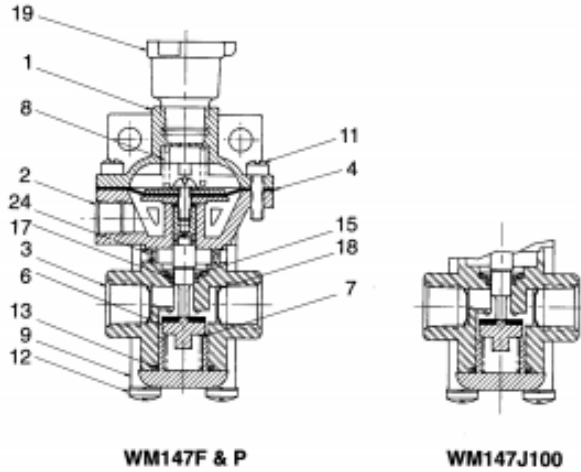
TO ORDER

To order Specify WM318 ____, Part Number ____ as below				
Suffix	Part Number	Description	Control Pressure	
			To Close	To Open
WM147 F	111531	Three-way	30-50 PSI (207-345 kPa)	15-30 Psi (103-207 kPa)
WM147 J100	130035	Two-Way	10-20 PSI (69-138 kPa)	5-10 PSI (35-69 kPa)
WM147 P	11542	Three-Way	10-30 PSI (69-207 kPa)	5-10 PSI (35-69 kPa)

CURTISS - WRIGHT	PROCEDURE NAME:			
	Williams Customer Specification Form			
DOCUMENT NUMBER: 119961	Revision Level	A	Date Effective 07/1992	DAF#



PARTS IDENTIFICATION



ITEM	DESCRIPTION	WM147F	WM147J100	WM147P	QTY
1	Inlet Body	103119	103119	103119	1
2	Center Body	103243	103243	103243	1
3	Lower Body	103290	103121	103290	1
*4	Diaphragm Assembly	110120	103368	110120	1
*6	Poppet	103879	103879	103879	1
7	Spring	101021	101021	101021	1
8	Spring	103292	101685	101685	1
9	End Cap	118132	118132	118132	1
11	Screw	119223	119223	119223	6
12	Screw	118770	118770	118770	4
*13	O-Ring	116380	116380	116380	1
*15	Snap Ring	116189	116189	116189	1
*17	O-Ring	116299	116299	116299	1
18	Screen	116456	116456	116456	2
19	WM111A Breather	111411	111411	111411	1
24	Filter	104077	-	104077	1

Service WM147F & P with repair kit 114161

Service WM147J100 with repair kit 114160

*Item included in repair kit

USA
 Portland
 Oregon
 T: +1.503.684.8600
 cwig.us@curtisswright.com
 www.cw-industrialgroup.com

Europe
 Garching
 Germany
 T: +44.89.5404.100.0
 cwig.de@curtisswright.com
 www.cw-industrialgroup.com

Asia
 Shanghai
 China
 T: +86.213.3310670
 cwig.cn@curtisswright.com
 www.cw-industrialgroup.com

CURTISS - WRIGHT	PROCEDURE NAME:					
	Williams Customer Specification Form					
DOCUMENT NUMBER:	119961	Revision Level	A	Date Effective	07/1992	DAF#