

- Slam-shut/lock when closed
- Spring to lock, energise to unlock
- Typical 12V or 24V operation
- 100% rated coil
- 10mm bolt stroke
- Endurance tested to 2,500,000 cycles
- Withstands shear loads in excess of 450Kgf
- Mount in any attitude
- Coil with insulation to Class F
- Maintenance free
- Corrosion resistant
- Compact construction with captive strike bolt



## APPLICATIONS

Cash & Valuables In Transit (CVIT)

---

Access controls

---

Shutters

---

Interlocks

---

Machine tools

---

## OPTIONS

Alternative bolt ends

---

Alternative bolt lengths

---

Custom voltage & duty ratings

---

Alternative mounting arrangements

---

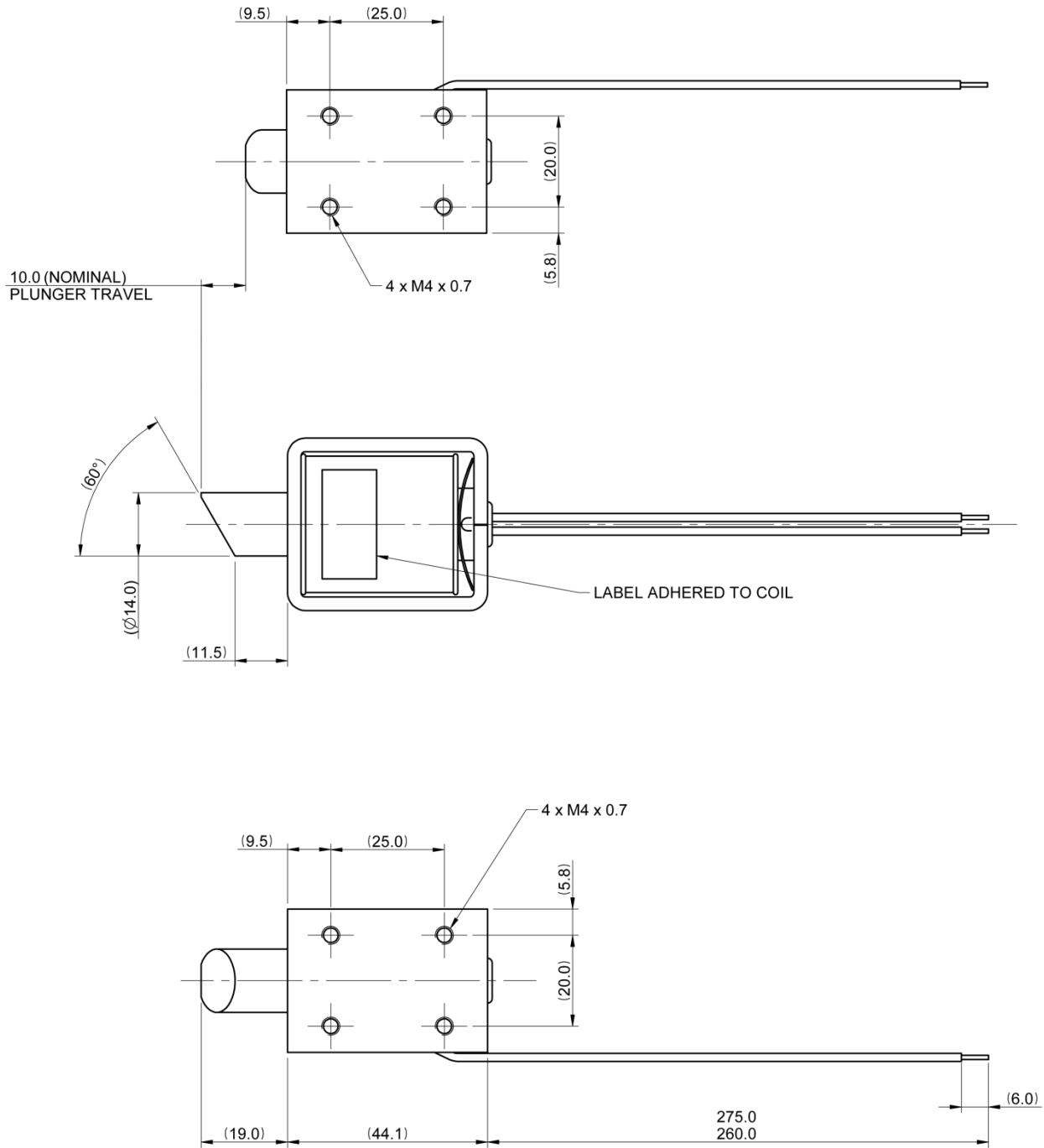
Alternative external finishes

---

Alternative electrical connections  
(flying leads or connector)

---

## MECHANICAL DIMENSIONS (mm)



© 2014 Curtiss-Wright. All rights reserved. Specifications are subject to change without notice.  
All trademarks are property of their respective owners.

SD135AF-11/14

**CURTISS-  
WRIGHT**

**USA** City of Industry  
California  
T: +1.626.480.2150 ext.1  
F: +1.626.369.6318  
cwig.us@curtisswright.com  
www.cw-industrialgroup.com

**Europe** Cwmfelinfach  
United Kingdom  
T: +44.1495.202000  
F: +44.1495.202006  
cwig.uk@curtisswright.com  
www.cw-industrialgroup.com

**Asia** Shanghai  
China  
T: +86.213.3310670  
cwig.cn@curtisswright.com  
www.cw-industrialgroup.com