



Williams Controls WM-782 Williams Customer Specification

Original Release: 09/82
Original Project: 119875



APPLICATIONS

The WM782A valves are designed for the control of double acting cylinders. They are frequently used to controls the actuation of power take off systems, which engage and disengage by an air pressure signal.

OPERATION

When the WM782's control lever is in position 1 (refer to external configuration.), outlet port 2 received supply pressure outlet 1 is exhausted. When the control lever is moved 60° to position 2, outlet port 1 receives supply pressure and outlet 2 is exhausted

DESCRIPTION

The remote sensor assembly is designed to provide an interface between an electronic sensor and mechanical input motion from the operator. A sensor is employed which provides a voltage proportional to the shafts angular displacement. The remote body provides holes for mounting the sensor to the remote and for mounting the remote to the host machine

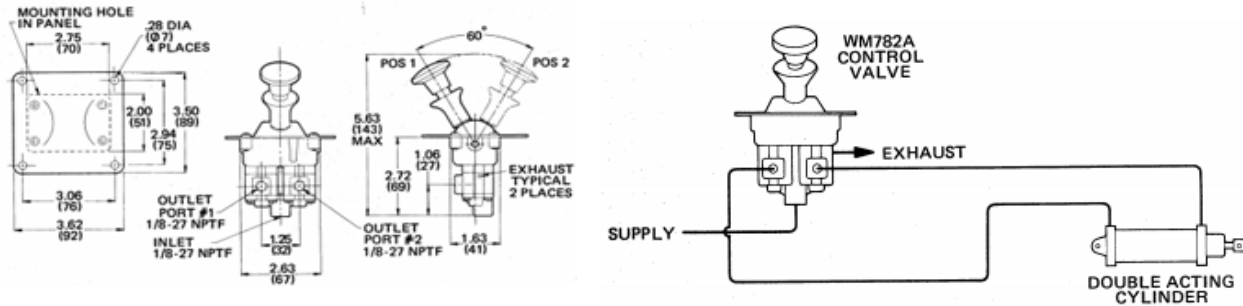
CURTISS - WRIGHT	PROCEDURE NAME:						
	Williams Customer Specification Form						
DOCUMENT NUMBER:	119875	Revision Level	A	Date Effective	09/1982	DAF#	



SPECIFICATION

Port Size	1/8-27 NPTF
Maximum Operating Pressure	150 PSI (1034, 2kPa)
Operating Temperature	-28.9°C to 93.3°C
Flow Rating	15 SCFM @ 100 PSI (0.4m ³ /min @ 690 kPa)
Mounting	Panel Mounted
Mounting Attitude	Optional
Materials	
Body Casting	Die Cast Zinc Alloy
Actuating Cam	Die Cast Zinc Alloy
Poppet	Buna N
O-rings	Buna N
Actuating Lever Shaft	Steel
Knob	Black Plastic
Safety Lockout	Yellow Plastic
Net Weight	
WM782A	1lb, 1oz (0.5kg)
WM782A1	1lb, 4oz (0.6kg)

For Continuous operation beyond this range, contact factory.



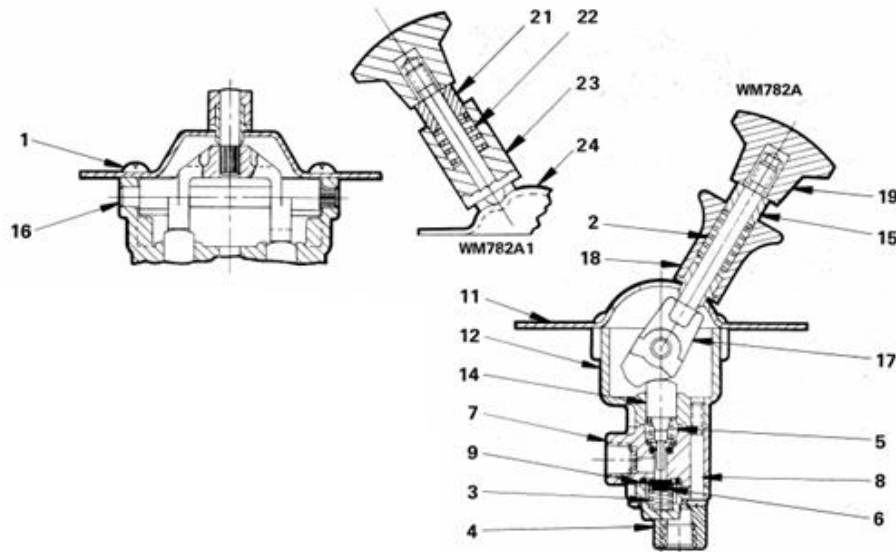
TO ORDER

To order Specify Model Number, Suffix, Part Number below				
Suffix	Part Number	Lever Features	1/8 to 1/4 NPTF Fittings	Interchanges W/ WABCO P/N
WM782 A	118316	SAFETY LOCKOUT	NO	2-HA-2LY(P59341-0001)
WM782 A1	118711	TWO DETENETS	YES	2-HA-2Y(P59340)

CURTISS - WRIGHT	PROCEDURE NAME:						
	Williams Customer Specification Form						
DOCUMENT NUMBER:	119875	Revision Level	A	Date Effective	09/1982	DAF#	



PARTS IDENTIFICATION



ITEM	DESCRIPTION	QTY	
		WM782A	WM782A1
1	Screw (100110)	4	4
2	Spring (101082)	1	
3	Spring	2	2
4	Inlet Body	1	1
5	Spring	2	2
6	Poppet	2	2
7	Body Assy	2	2
8	Screw	6	6
9	O-Ring	2	2
11	Valve Cover (118288)	1	
12	Upper Body	1	1
14	Valve Stem	2	2
15	Handle Bushing (118295)	1	
16	Lever Pin	1	1
17	Cam Assy (118491)	1	1
18	Latch Assy (118303)	1	
19	Knob (118305)	1	1
21	Handle Bushing (118718)		1
22	Spring (101685)		1
23	Handle Detent (118719)		1
24	Valve Cover (118715)		1
NA	1/8 Male to 1/4 Female NPTF 90° Elbow (for outlets)		2
NA	1/8 Male to 1/4 Female NPTF Adapter (For inlet)		1

USA
 Portland
 Oregon
 T: +1.503.684.8600
 cwig.us@curtisswright.com
 www.cw-industrialgroup.com

Europe
 Garching
 Germany
 T: +44.89.5404.100.0
 cwig.de@curtisswright.com
 www.cw-industrialgroup.com

Asia
 Shanghai
 China
 T: +86.213.3310670
 cwig.cn@curtisswright.com
 www.cw-industrialgroup.com

CURTISS- WRIGHT	PROCEDURE NAME:					
	Williams Customer Specification Form					
DOCUMENT NUMBER: 119875	Revision Level	A	Date Effective	09/1982	DAF#	