

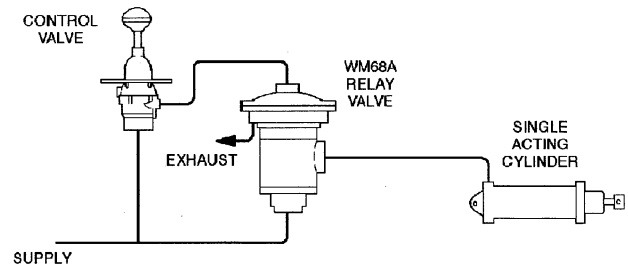
WM67 Normally Closed Two-Way Relay Valve

300 SCFM @ 100 PSI

DESCRIPTION

The WM67 is a two-way, non-compensating relay valve. It is normally closed and requires a control pressure equal to approximately 50% of its supply pressure for actuation.

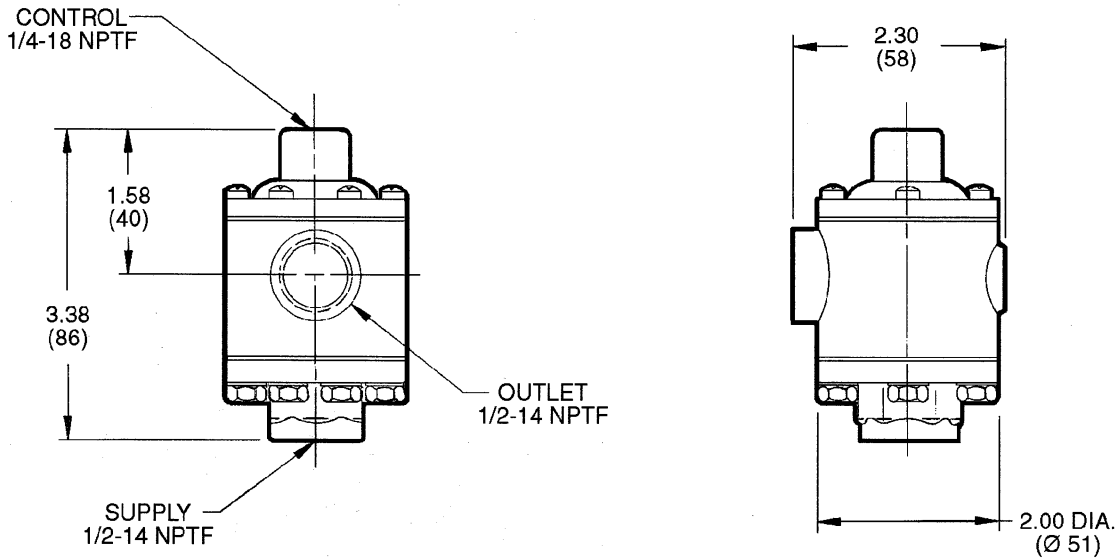
If the outlet port is left open to atmosphere, it can also be used as a pressure release or pilot operated dump valve.



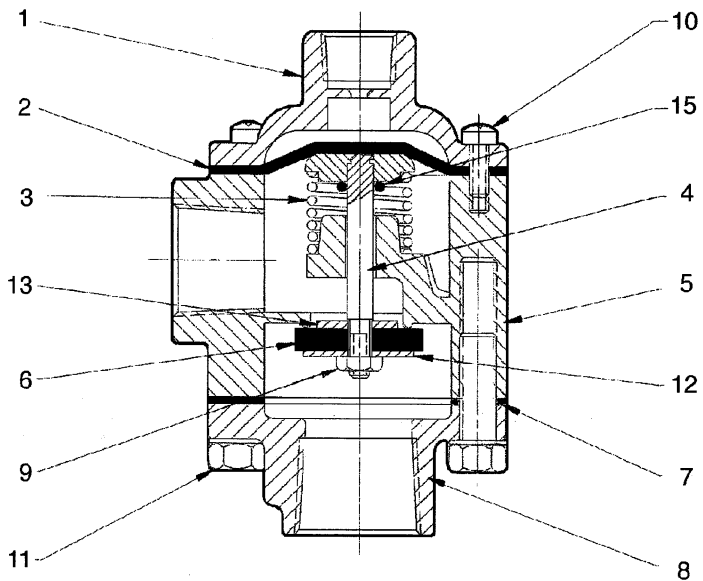
SPECIFICATIONS

Port size: Inlet and outlet.....	1/2-14 NPTF
Control.....	1/4-18 NPTF
Maximum supply pressure.....	150 PSI (1034 kPa)
Operating temperature.....	-20°F to 200°F (-29°C to 93°C)
Flow rating.....	300 SCFM @ 100 PSI (8 m ³ /min @ 690 kPa)
Cracking pressure.....	Approximately 50% supply pressure
Mounting.....	In-line
Mounting attitude.....	Control port up recommended
Materials: Body castings.....	Iridited die cast zinc alloy
Diaphragm.....	Fabric reinforced Buna N
Poppet.....	Buna N
O-ring.....	Buna N
Weight.....	1 lb, 4 oz (0,6 kg)

DIMENSIONAL DATA



CROSS SECTION & PARTS INFORMATION



Item	Description	Part Number	Qty
1	Cover	101089	1
*2	Diaphragm	101090	1
3	Spring	101047	1
4	Stem	101091	1
5	Body	101088	1
*6	Washer	101205	1
*7	Gasket	101206	1
8	Inlet Cover	101207	1
9	Nut	114558	1
10	Screw	119223	6
11	Screw	118708	6
12	Washer	115035	1
13	Washer	115054	1
*15	O-Ring	116297	1

*Item is included in repair kit. Service this unit with repair kit 114074. Highlighted items may be purchased separately.

ORDERING INFORMATION

To order, specify **WM67**, part number 111196